



# A560

(使用说明书) (INSTRUCTION MANUAL)



Frequency: 2.4GHz  
Motor: Brushless 1504  
Remote Control Distance: 150m  
Flight time: 15min  
Flight weight: 94g  
Wingspan: 512mm

## **安全忠告及注意事项** 这是无线遥控模型并不是玩具!

- 如果你是一名新手或者是第一次接触遥控模型，请在组装、操控模型前寻求富有经验的模型爱好者、模型店的帮助，以令商品的性能可完美发挥。
- 请勿在小孩可以触及到的地方组装、操控模型。
- 在操控这架模型之前请先确定好一个安全的场所，以及安全方面的准备工作，因为在模型的安全上你负有完全的责任。
- 请妥善保管好你的组装说明手册。

## **SAFETY PRECAUTIONS** This radio control model is not a toy.

- First-time builders should seek the advice of experienced modellers before commencing assembly and if they do not fully understand any part of the construction.
- Assemble this kit only in places out of children's reach!
- Take enough safety precautions prior to operating this model. You are responsible for this model's assembly and safe operation!
- Always keep this instruction manual ready at hand for quick reference, even after completing the assembly.

### **警告** **WARNING:**

本产品含有小零件请勿让三岁以下儿童玩耍； 本品含电子元件，不得入水或在潮湿环境下使用； 电池充电器应定期检查其电线、 插头、外壳和其他部件是否损坏，发现损坏时应停止使用。

Choking hazard! This product contains small parts. NOT suitable for children under 3 years. Contains electrical components and should be kept dry at all times. Regularly check the battery charger wires, plugs and shell and other components for damage. DO NOT use if any part is damaged.

## 充电和 电池 注意事项

### Charging and battery cautions

1. 模型使用一组 3.7V 可充电电池组；
  2. 安装或更换电池时请注意正负极；
  3. 充电电池只能在成人监护下充电；
  4. 不可混用新旧或不同型号的电池；
  5. 电池电量用尽后，应从模型内取出；
  6. 接线端不应短路；
  7. 非充电电池不可充电；
  8. 充电电池充电前应从模型中取出；
  9. 请不要将坏的电池、电池组分解或扔到火中、水里，以免发生意外；
  10. 充电器的额定输入电压必须与当地的家用电压相符；
  11. 在充电过程中，充电器和电池出现微温，属于正常现象。
1. Model uses a set of 3.7V rechargeable batteries.
  2. Please pay attention to correct polarity when replace batteries.
  3. Charge battery should be under adult supervision.
  4. DO NOT use a mix of old and new or different types of battery.
  5. Please remove the battery when flying finished.
  6. DO NOT short circuit.
  7. DO NOT attempt to charge non rechargeable batteries.
  8. Remove batteries from the model when charging.
  9. DO NOT put batteries into a fire or into water.
  10. The rated input voltage battery charger MUST be suitable for your home power voltage.
  11. During charging, it is quite normal for the charger and batteries to heat up.

## 注意事项 Cautions

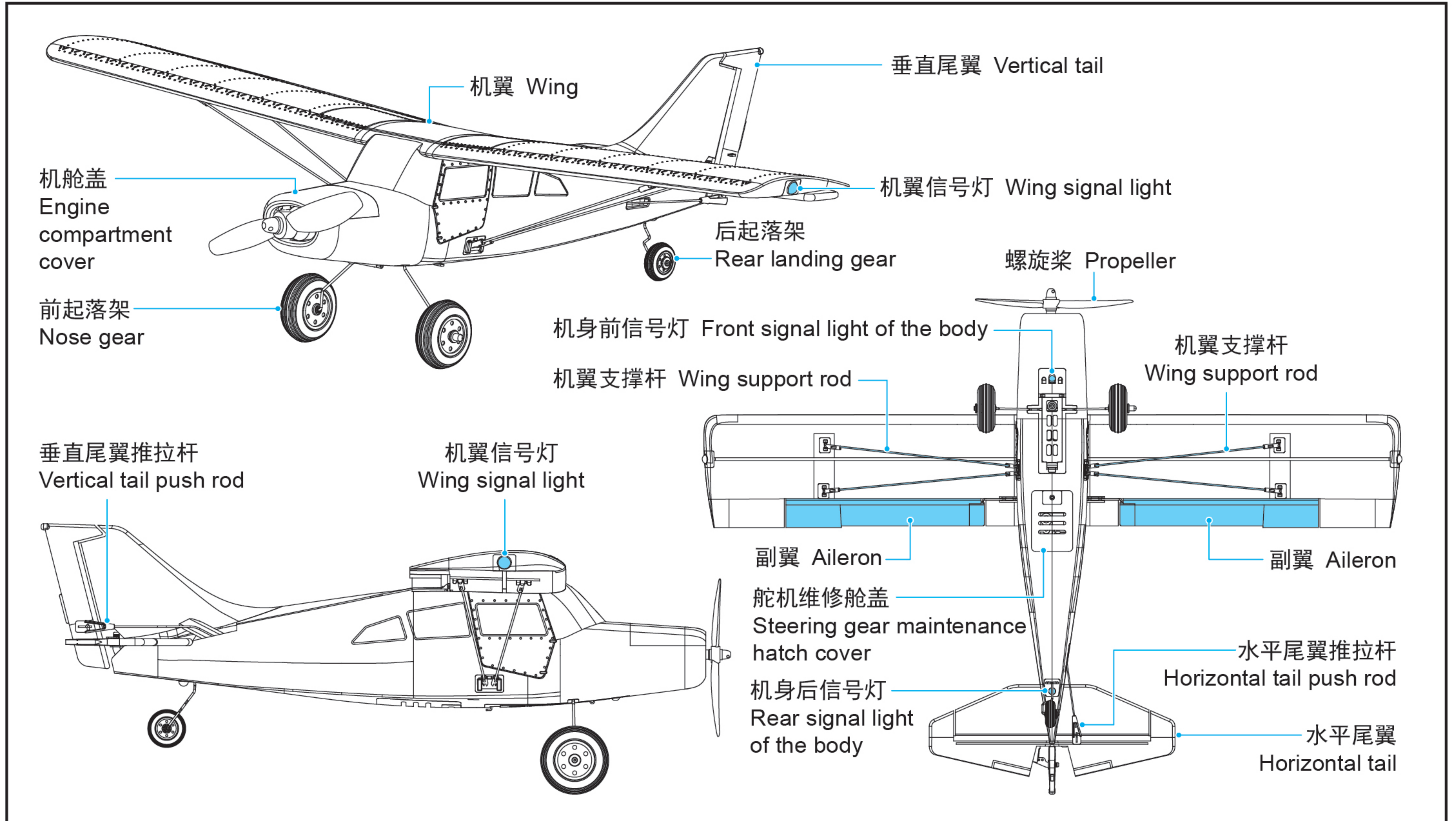
1. 可拆卸的小零件要放好，千万不可让小孩吞食。
  2. 如操作场地有电波干扰，请另选场地操作。
  3. 遥控器电源低电时，请立即停止操作。
  4. 对拆除后的包装物，请不要随地丢弃，以免污染环境。
  5. 请将您的遥控模型存放在干燥、阴凉的地方。
  6. 不要置于近火和高温、潮湿的地方储存。
  7. 当电池被水浸湿，请将水分充分地擦拭干净，如有变形，请停止使用。
1. Detachable small parts should be stored safely and out of reach of children.
  2. If interference is experienced, turn the model off and try it again in a different area.
  3. Remote control will not function correctly if the batteries are low. Please replace the batteries.
  4. Please discard old/used batteries in a safe manner. Consider your environment!
  5. Please store the remote control in cool, dry place.
  6. DO NOT expose to fire or high temperatures, moist storage.
  7. Should the battery get wet, wipe immediately with a soft dry cloth. If transformed, please stop usage.



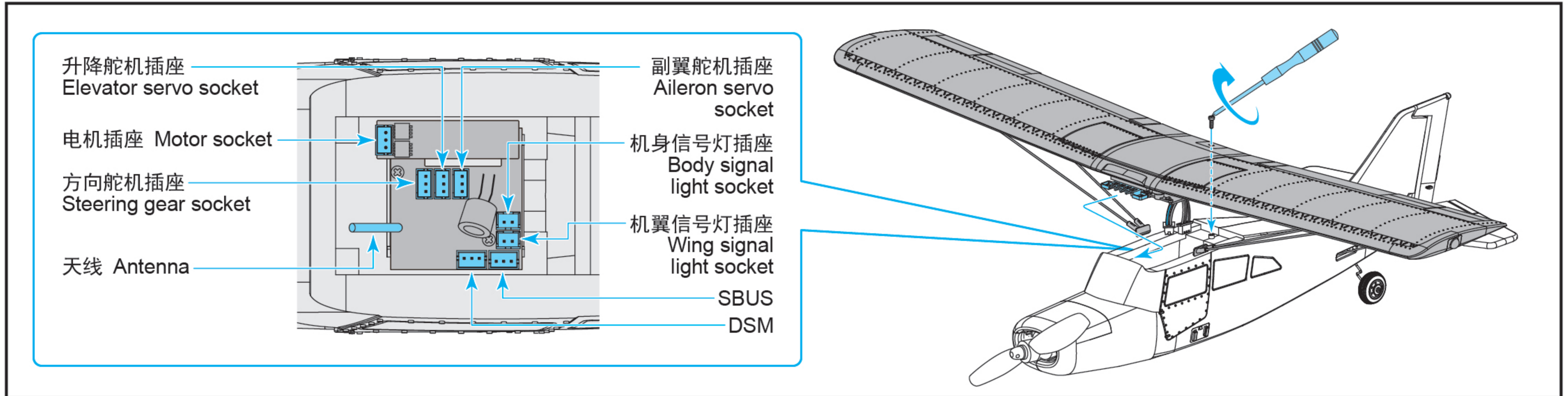
**注意**

**Caution:** 产品改良、外观变更、恕不另行通知  
Specifications are subject to change without notice

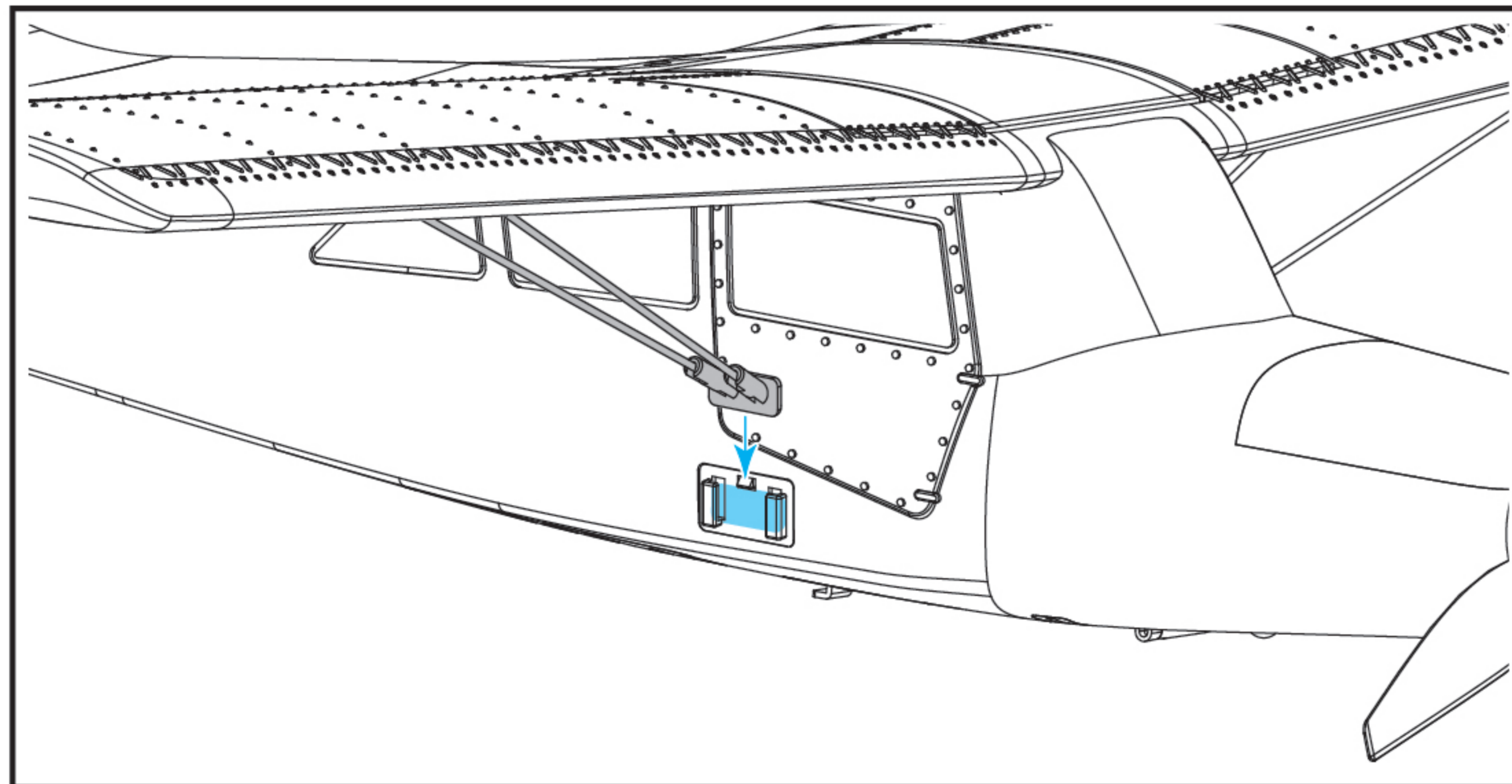
1. 飞机各部件名称 NAMES OF AIRCRAFT COMPONENTS



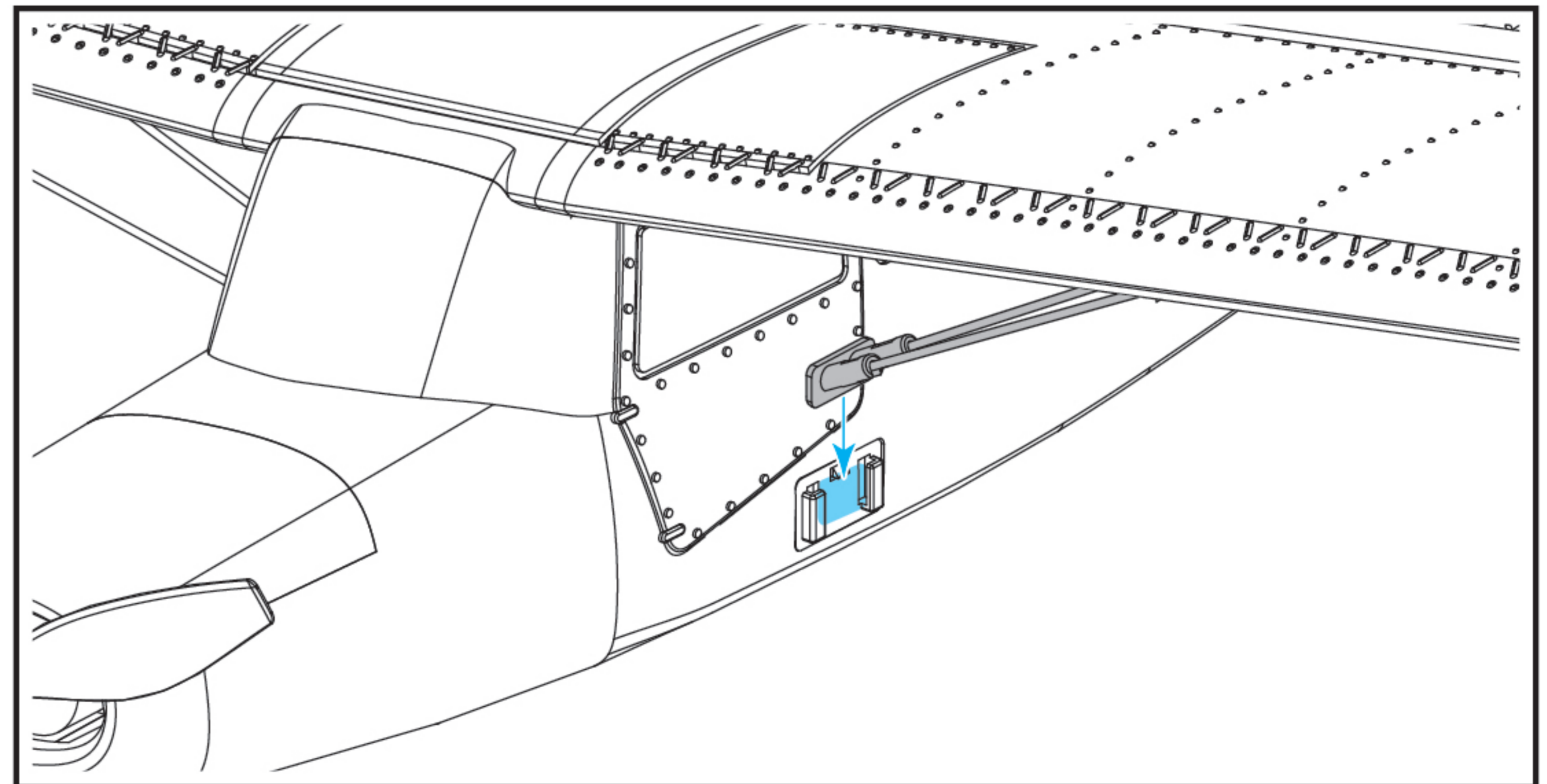
2. 组装说明 ASSEMBLY INSTRUCTIONS



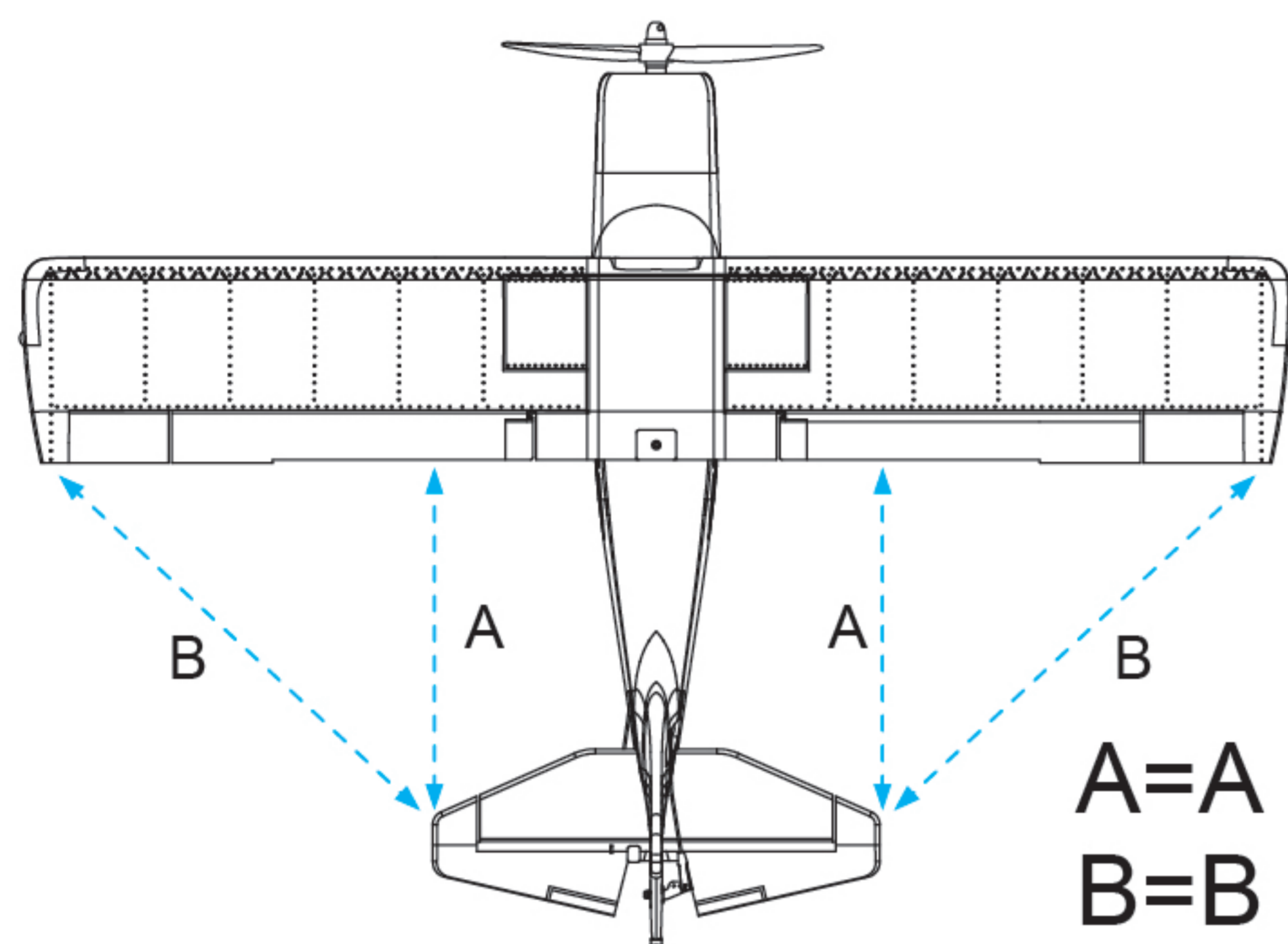
- (1). 如图所示，先将副翼舵机插头连接到机身接收器的副翼舵机插座，再将机翼安装到机身上，用螺丝锁紧。  
 As shown in the figure, first connect the Aileron servo plug to the Aileron servo socket of the fuselage receiver, and then install the wing onto the fuselage and lock it with screws.



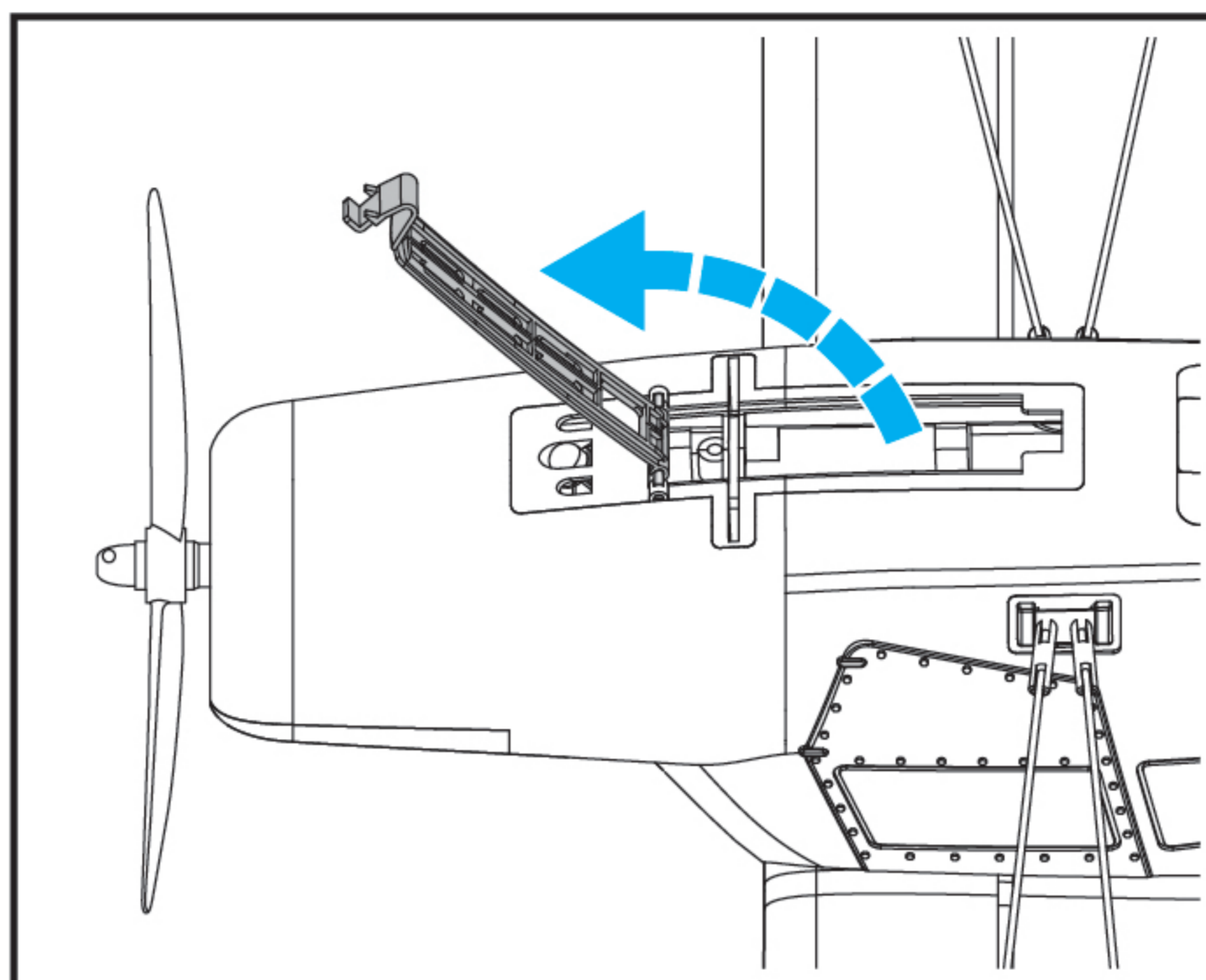
- (2). 如图所示，将一边支撑杆固定到机身上卡紧。  
 As shown in the figure, fix one side of the support rod to the body and tighten it.



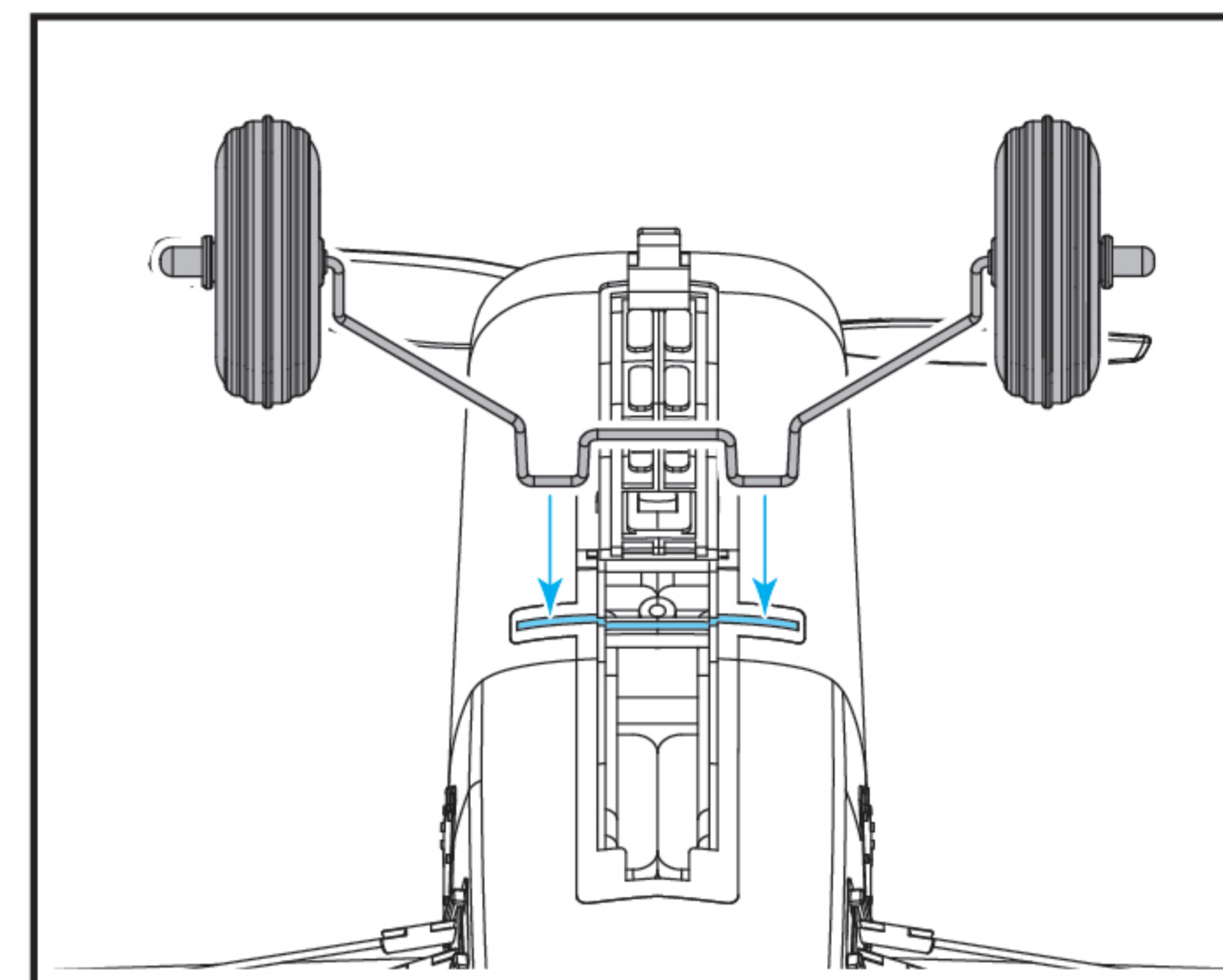
- (3). 如图所示，将另一边支撑杆固定到机身上卡紧。  
 As shown in the figure, fix the support rod on the other side to the body and tighten it.



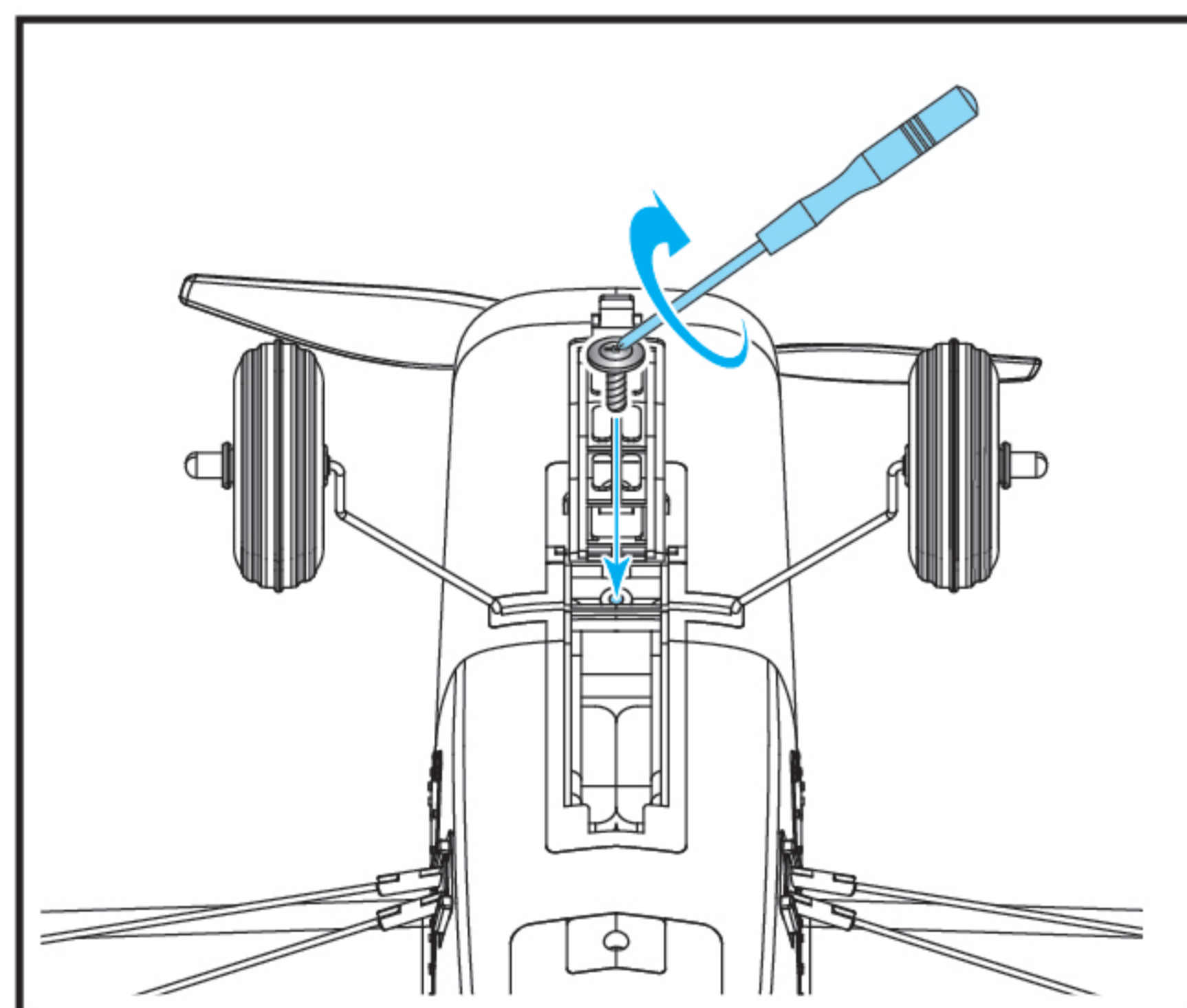
(4). 检查机翼是否安装对称垂直。  
Check all the wings if are fixed symmetrically and vertically.



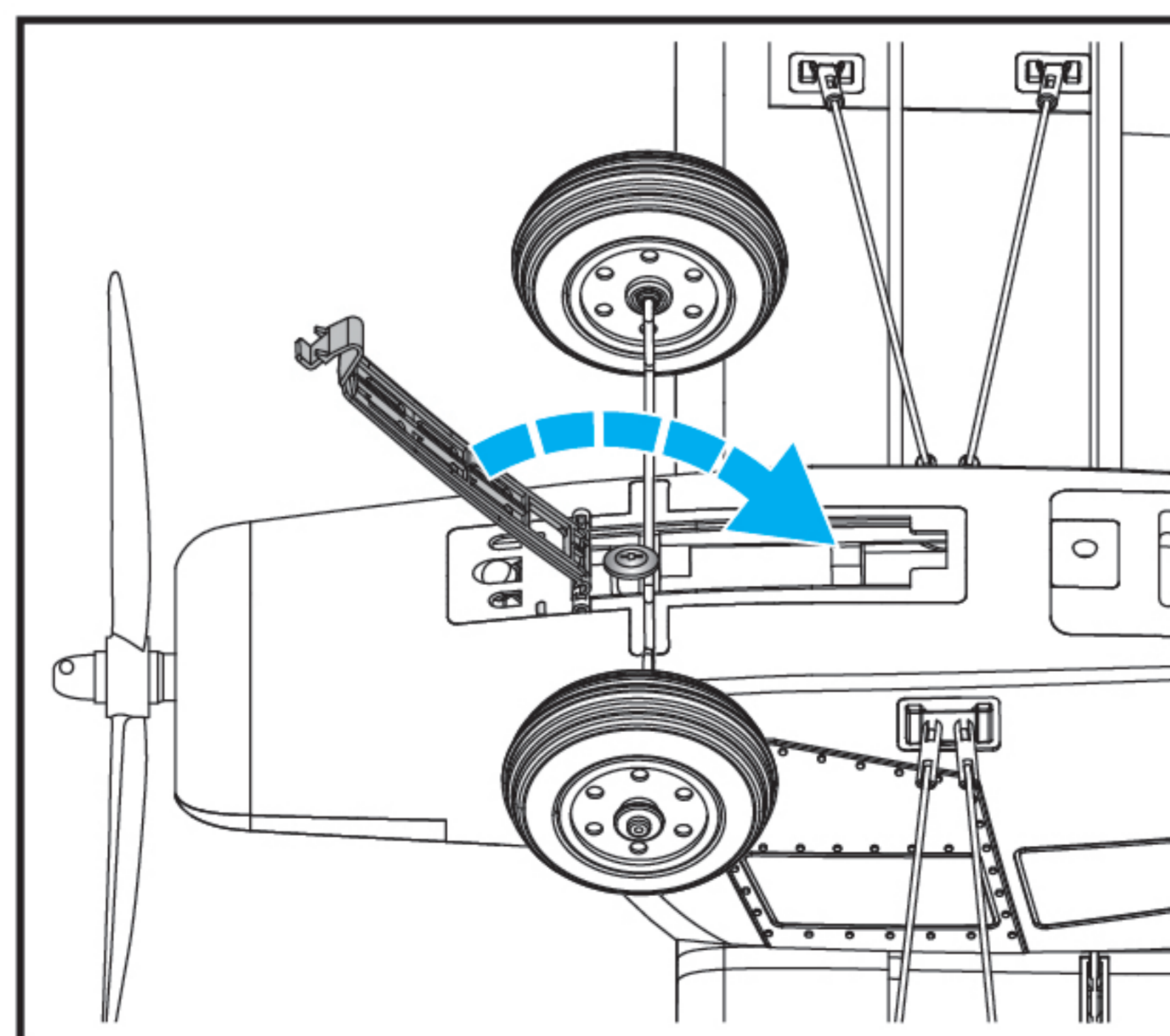
(5). 如图所示，打开机身电池盖。  
As shown in the figure, open the battery cover on the body.



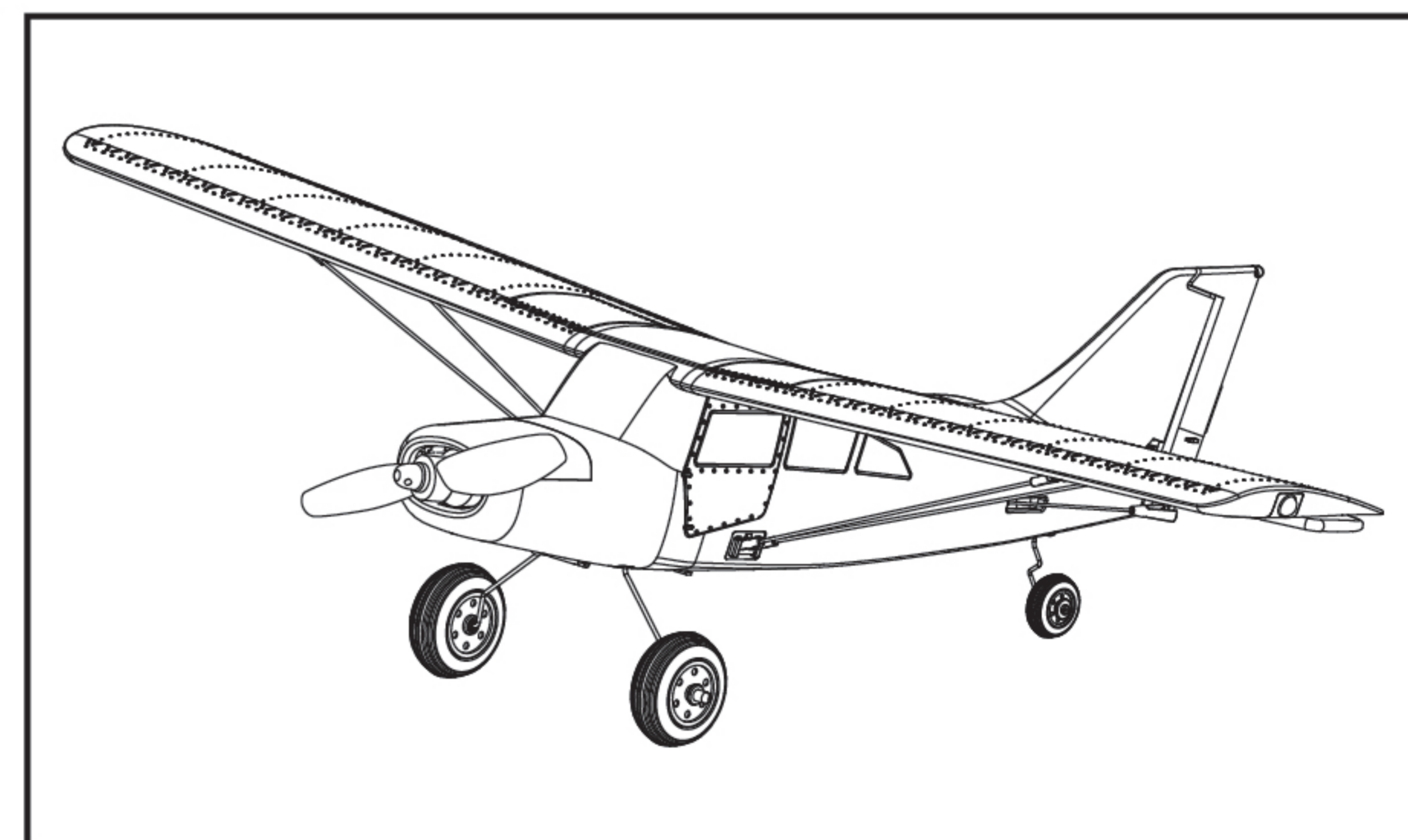
(6). 如图所示，将起落架安装到机身上。  
Install the landing gear onto the fuselage as shown in the figure.



(7). 如图所示，用螺丝将起落架锁紧在机身。  
As shown in the figure, use screws to lock the landing gear onto the fuselage.

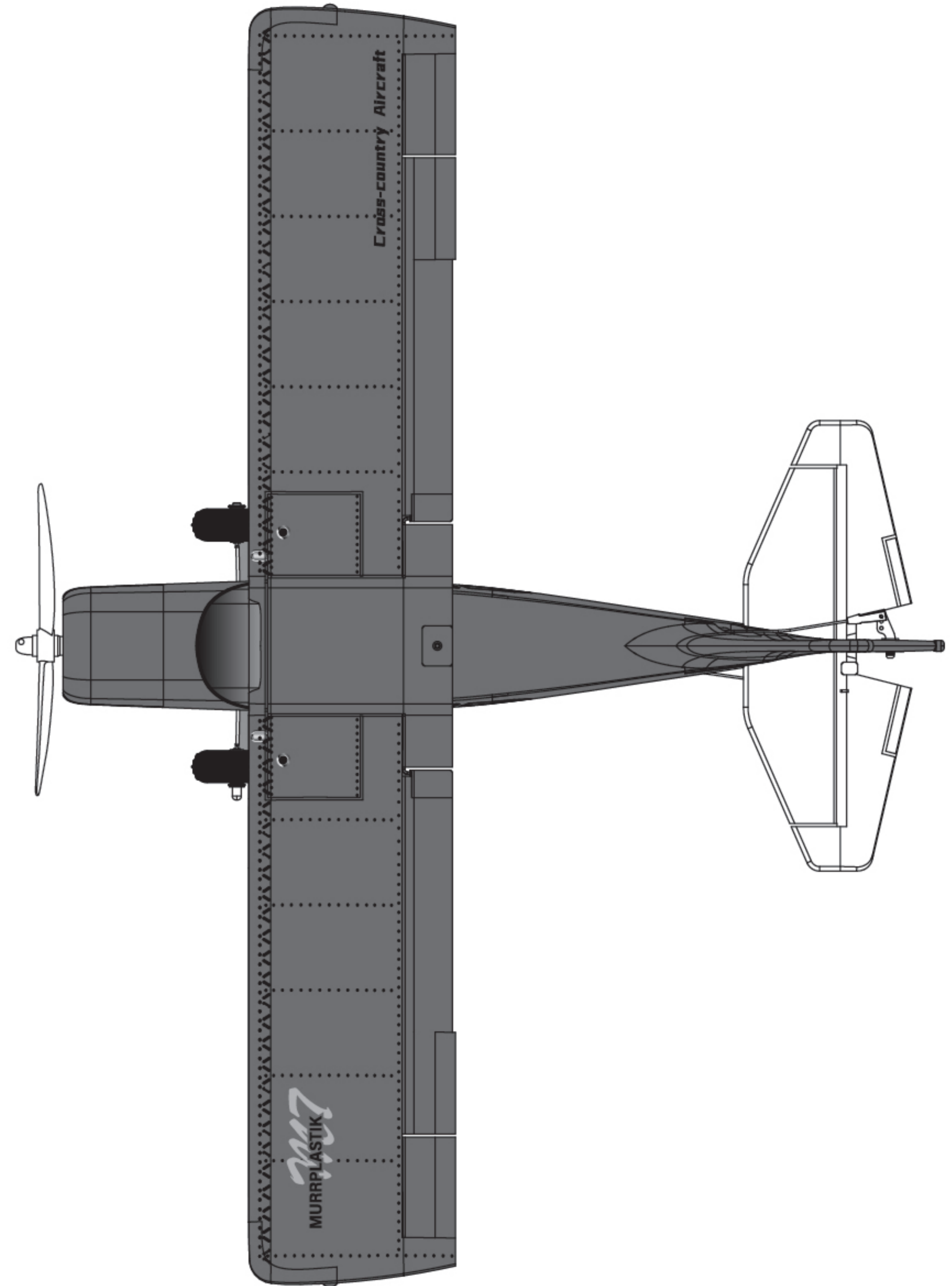
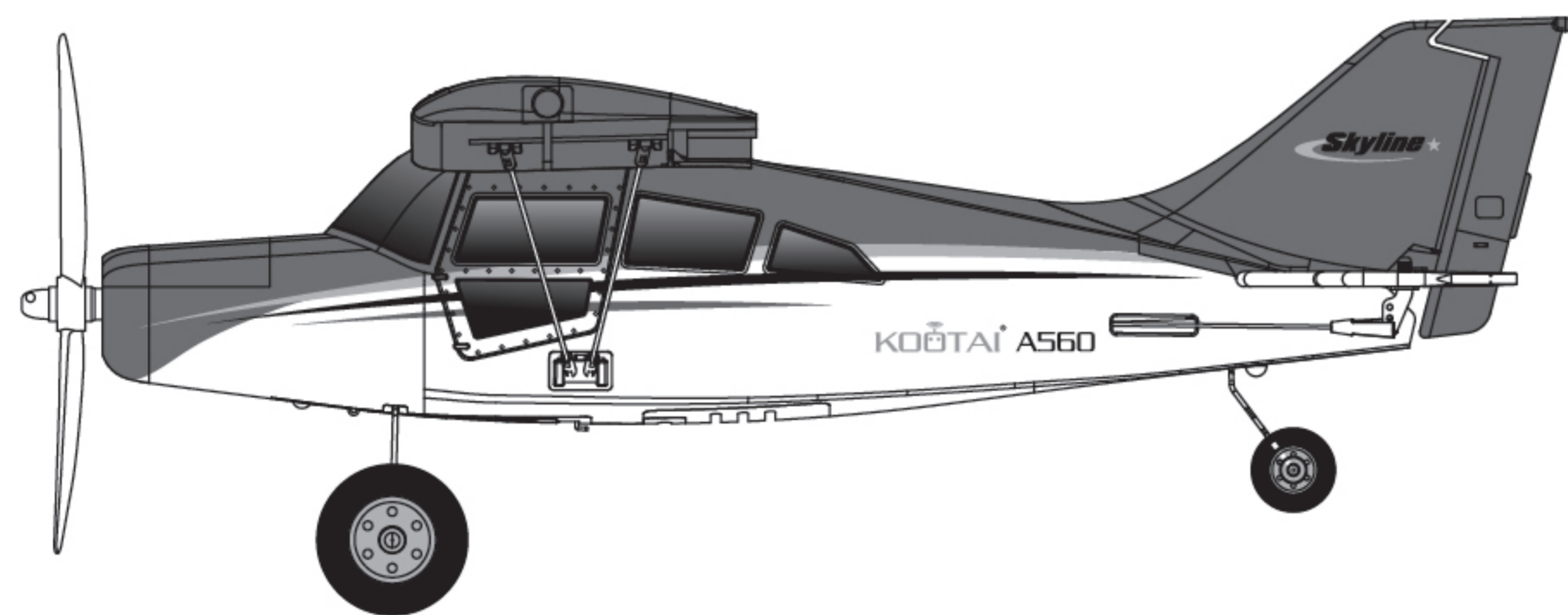
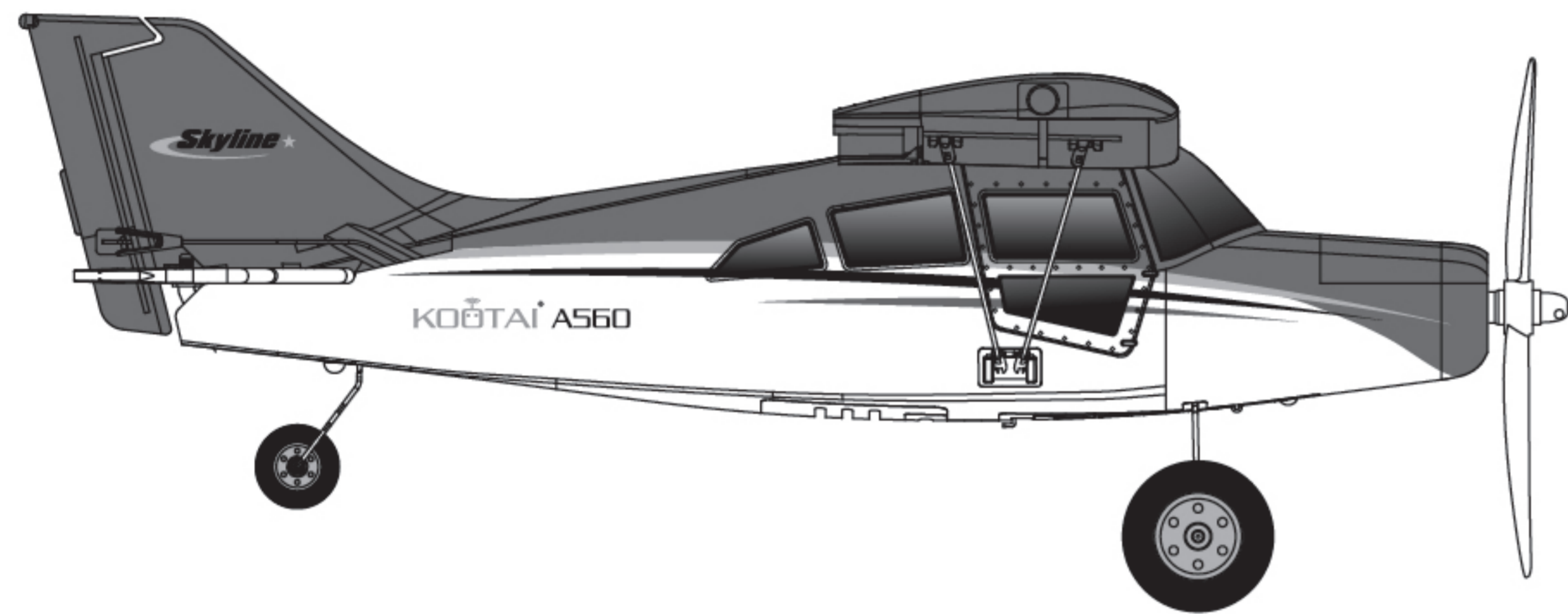
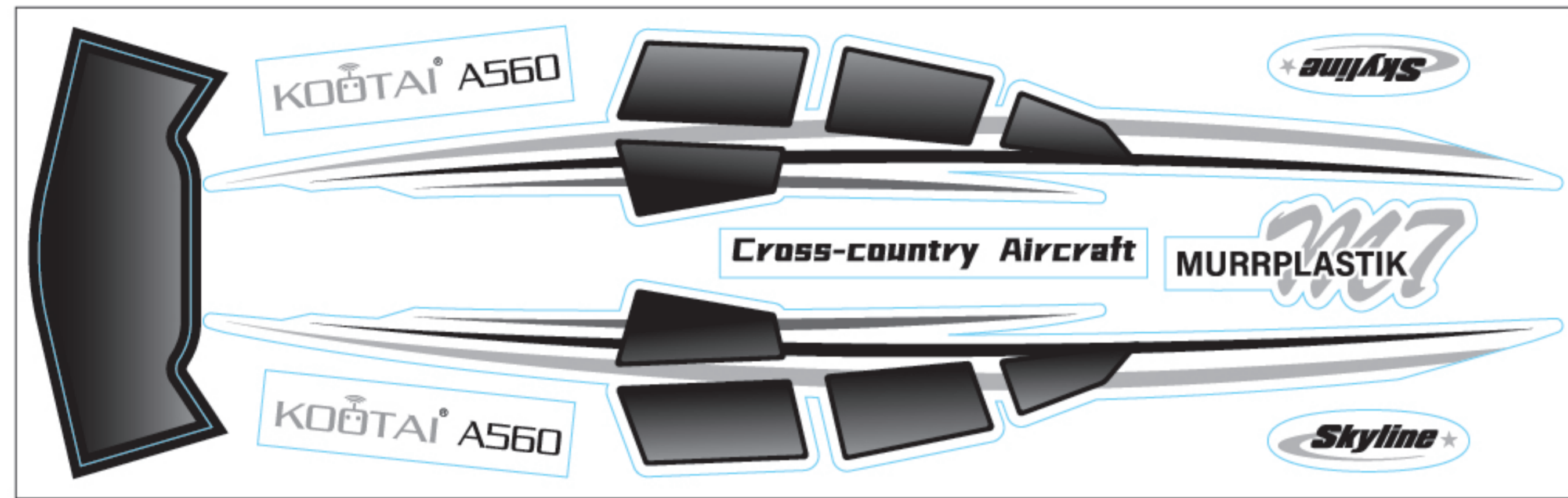


(8). 如图所示，关闭机身电池盖。  
As shown in the figure, close the battery cover of the body.



(9). 完成如图。  
Installation complete.

3. 飞机贴纸示意图 AIRPLANE PASTER HINT MAP





4. 遥控器功能介绍 TRANSMITTER FUNCTION INTRODUCTION

模式1 MODE 1 遥控器左手油门功能介绍 Transmitter left hand accelerator function introduction

油门增加微调 Throttle increase trim

垂直尾翼右转 Vertical tail turn right

点按一键翻滚 (新手模式专用) /

长按三秒灯光控制

Press and hold one button to scroll

(Dedicated to beginner mode) /

Long press and hold for three

seconds to control lighting

加大油门 Throttle increase

垂直尾翼左转

Vertical tail turn left

降低油门 Lower the throttle

垂直尾翼平衡左微调

Vertical tail balance

left adjustment

垂直尾翼平衡右微调

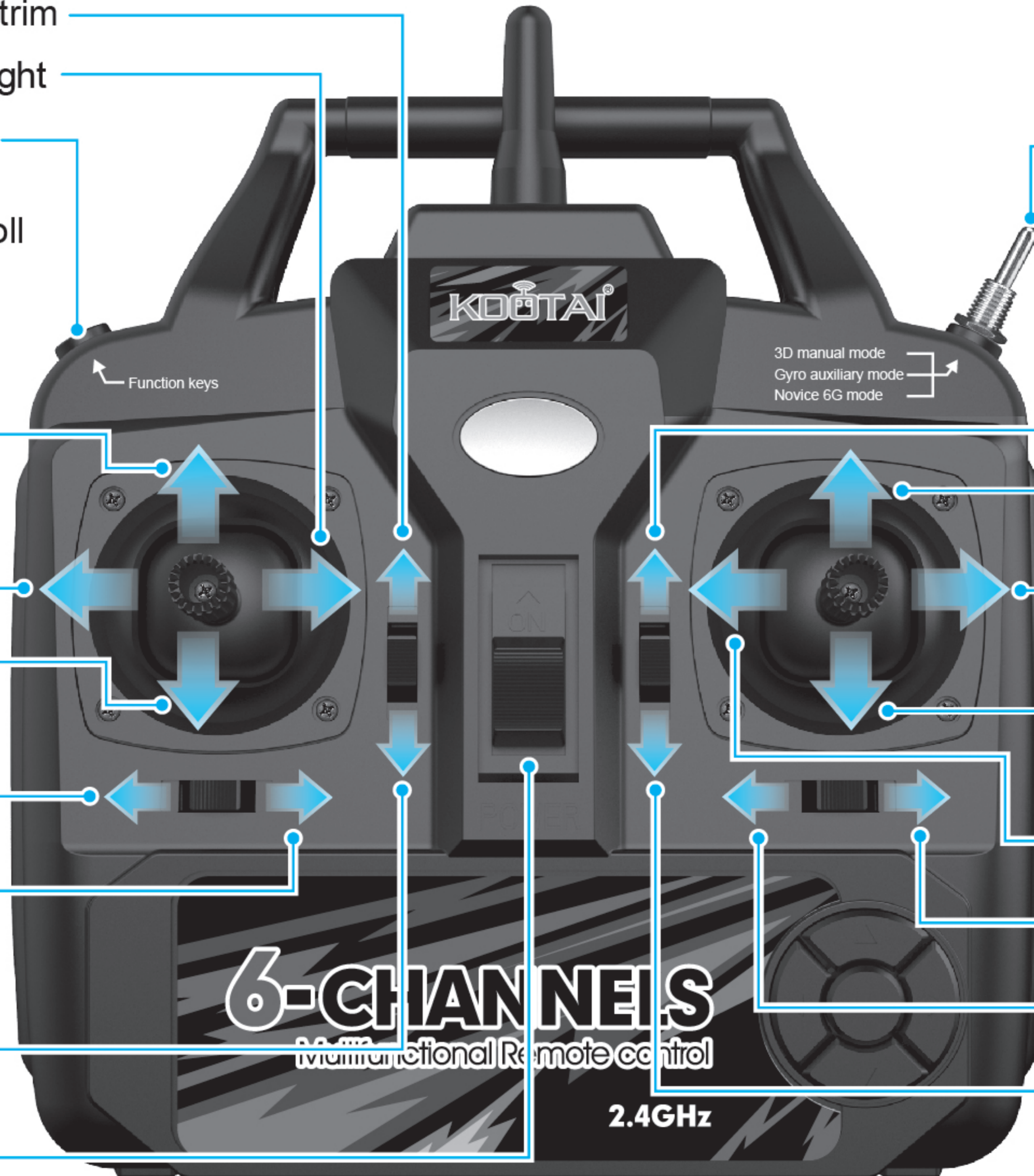
Vertical tail balance

right adjustment

油门减少微调

Throttle decrease trim

电源开关 Power switch



3D模式：手动操控

3D mode: manual control

3G模式：陀螺仪辅助飞行

3G mode: gyroscope assisted flight

新手6G模式：陀螺仪全程辅助

飞行；点按一键翻滚按键，飞

机翻滚。

6G Self-stabilization mode: gyroscope

assisted flight throughout the entire process;

Press and hold one button to roll.

水平尾翼下降微调

Horizontal tail descending trim

水平尾翼下降

Horizontal tail descending

副翼 (右倾斜) Aileron (Right tilt)

水平尾翼上升 Horizontal tail rise

副翼 (左倾斜) Aileron (Left tilt)

副翼右微调 Aileron right trim

副翼左微调 Aileron left trim

水平尾翼上升微调

Horizontal tail rise trim

**模式2 MODE 2** 遥控器右手油门功能介绍 Transmitter right hand accelerator function introduction

水平尾翼下降微调 Horizontal tail descending trim

垂直尾翼右转 Vertical tail turn right

点按一键翻滚 (新手模式专用) /  
长按三秒灯光控制  
Press and hold one button to scroll  
(Dedicated to beginner mode) /  
Long press and hold for three  
seconds to control lighting

水平尾翼下降  
Horizontal tail descending

垂直尾翼左转  
Vertical tail turn left

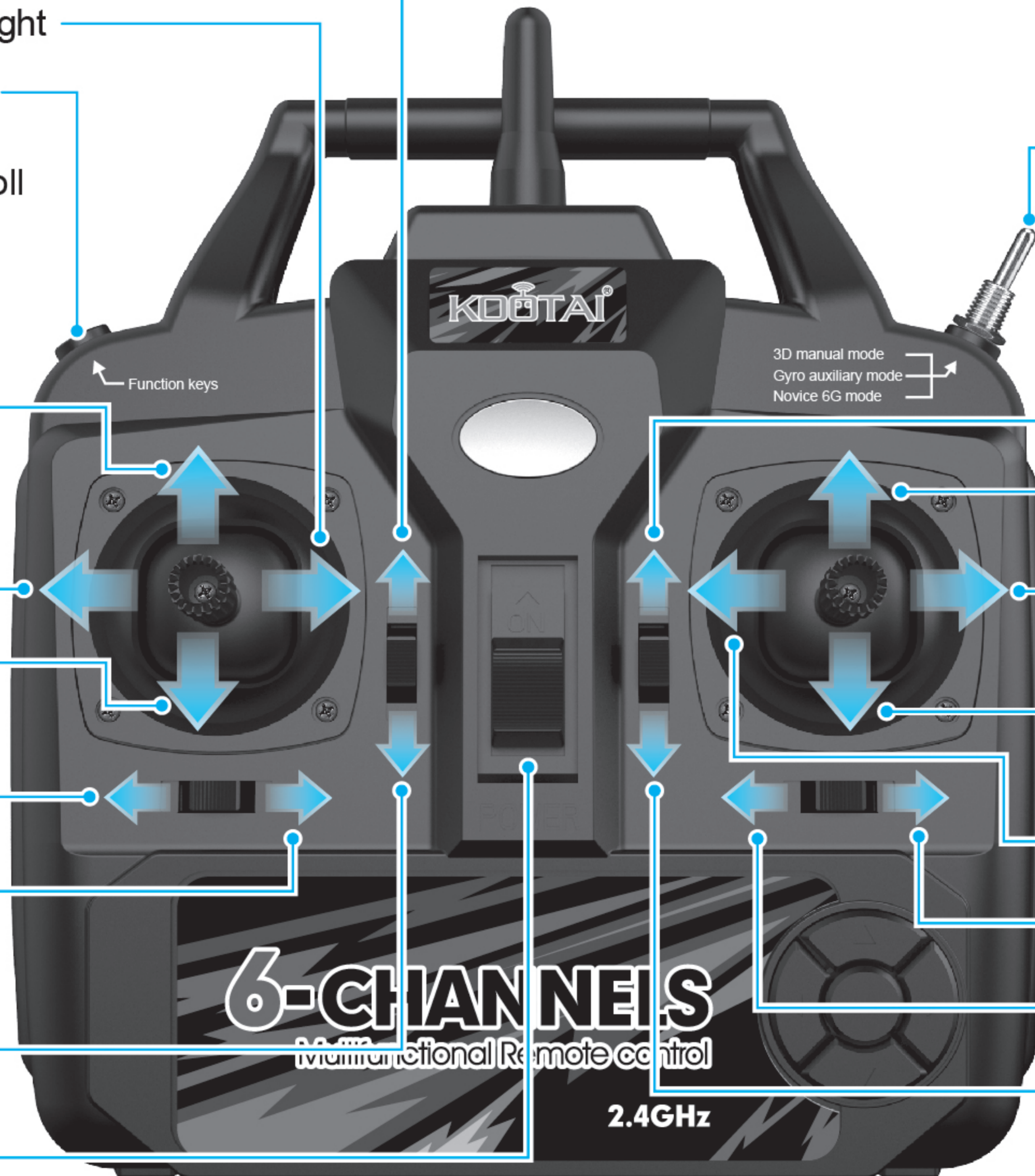
水平尾翼上升  
Horizontal tail rise

垂直尾翼平衡左微调  
Vertical tail balance  
left adjustment

垂直尾翼平衡右微调  
Vertical tail balance  
right adjustment

水平尾翼上升微调  
Horizontal tail rise trim

电源开关 Power switch



3D模式: 手动操控 3D mode: manual control

3G模式: 陀螺仪辅助飞行  
3G mode: gyroscope assisted flight

新手6G模式: 陀螺仪全程辅助  
飞行; 点按一键翻滚按键, 飞  
机翻滚。

6G Self-stabilization mode: gyroscope  
assisted flight throughout the entire process;  
Press and hold one button to roll.

油门增加微调  
Throttle increase trim

加大油门 Throttle increase

副翼 (右倾斜) Aileron(Right tilt)

降低油门 Lower the throttle

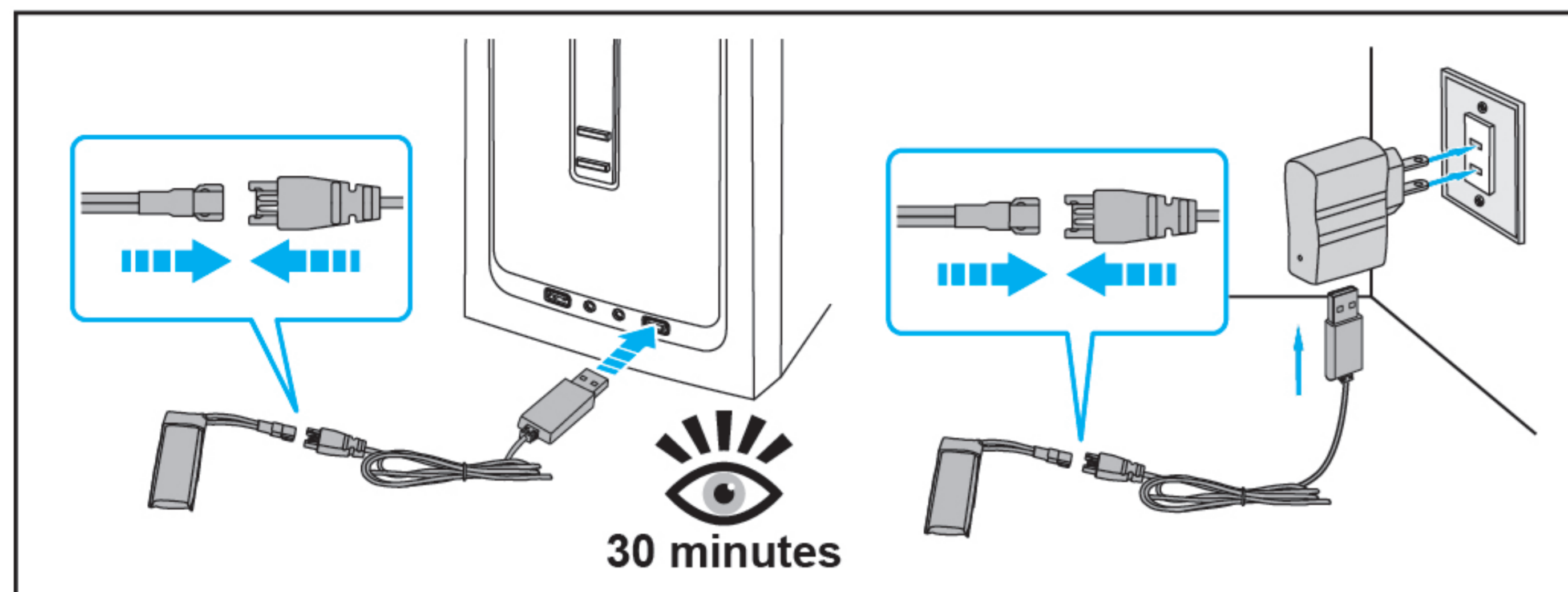
副翼 (左倾斜) Aileron(Left tilt)

副翼右微调 Aileron right trim

副翼左微调 Aileron left trim

油门减少微调  
Throttle decrease trim

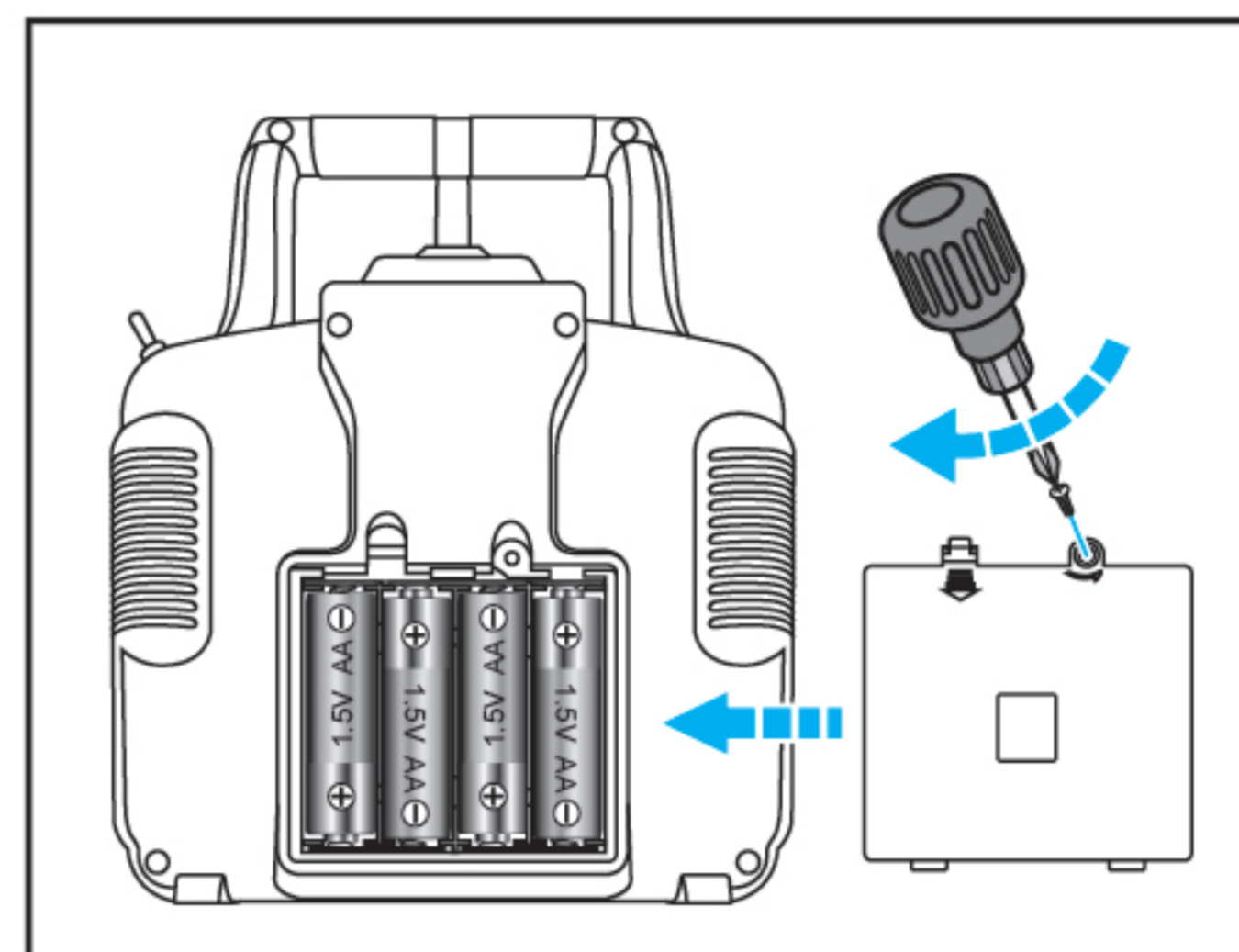
5. 电池的充电和装配 BATTERY CHARGING AND ASSEMBLY



(1). 将USB充电线按如图方式插入电脑或手机充电器USB接口，此时USB红色指示灯常亮，再将USB充电线按如图与电池组连接，此时USB绿色指示灯慢闪，此时正在充电，约过30分钟左右，绿色指示灯常亮，充电完成。

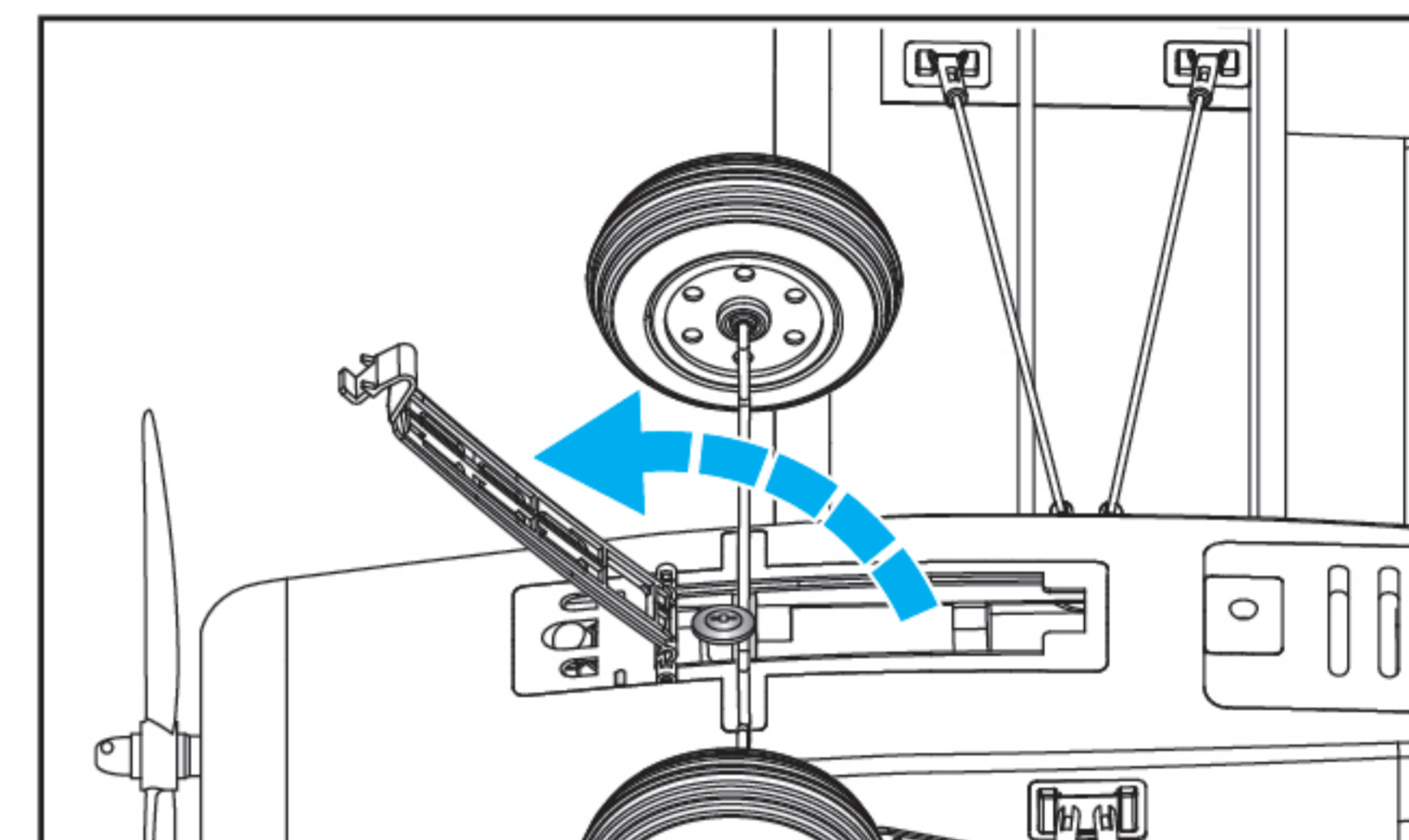
(注：手机充电器需另购)

Insert the USB cable into the interface of a computer or the USB interface of a mobile phone charger as shown in the figure, and the red USB indicator light will be on. Then connect the USB cable with the battery pack as shown in the figure, and the green USB indicator light will flash slowly, indicating that it is charging. Approximately 30 minutes later, the green indicator light will be on and charging is completed. (Note: The mobile phone charger is optional)



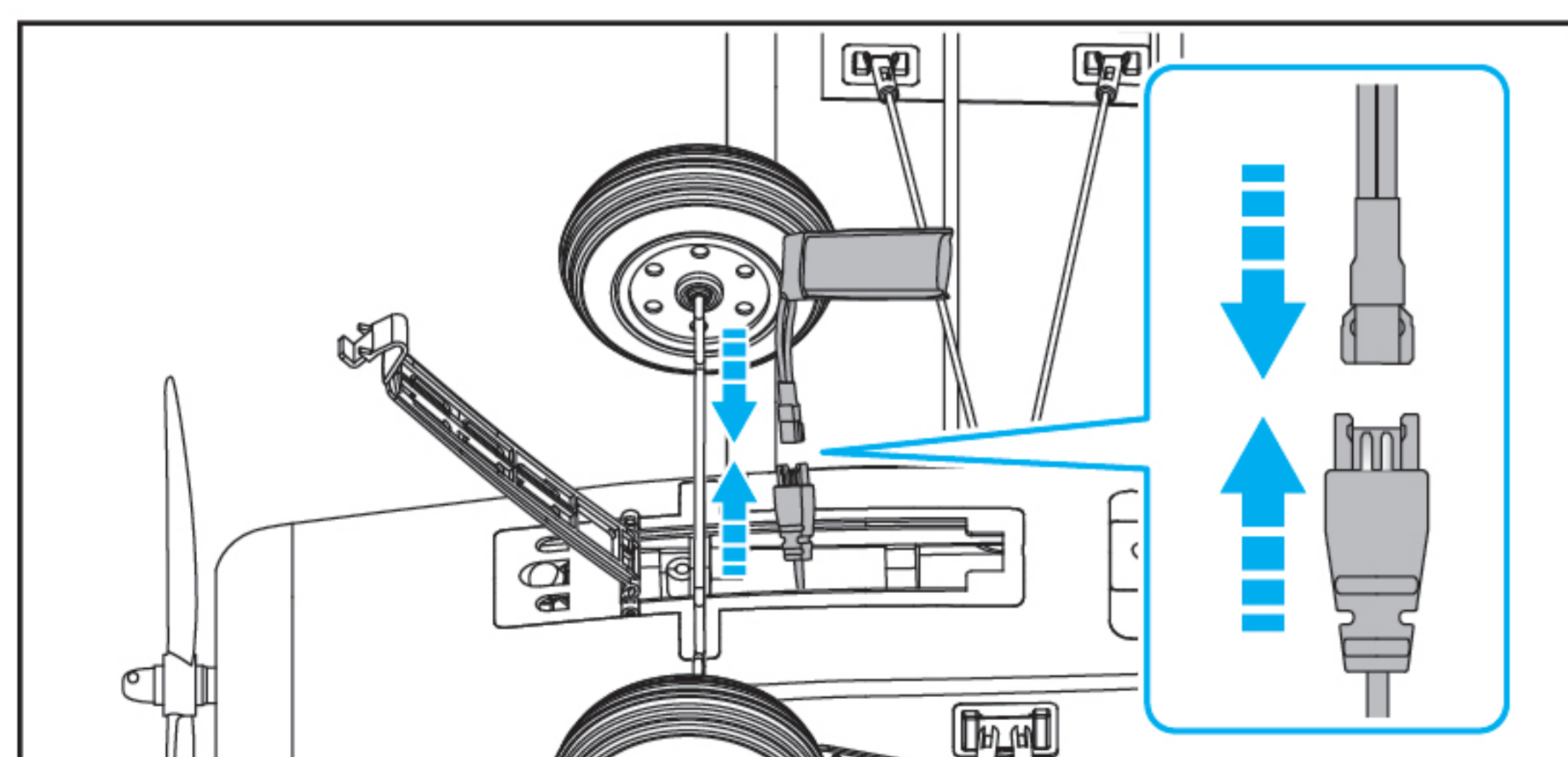
(2). 在遥控器上装上4节“AA”碱性电池，打开电源开关。

Put 4 X“AA” alkaline batteries into the transmitter and turn on the power switch.



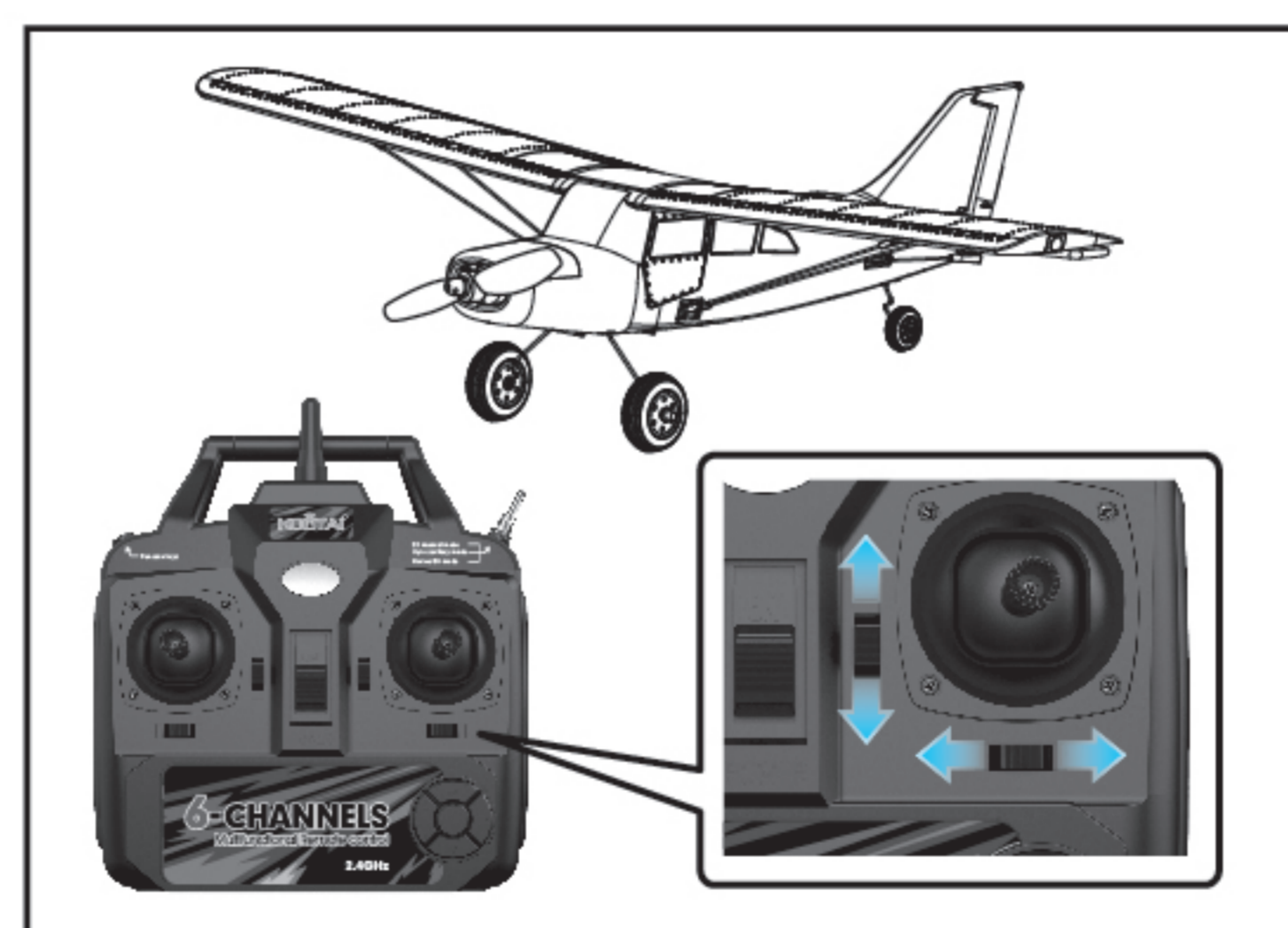
(3). 如图所示，打开机身电池盖。

As shown in the figure, open the battery cover on the body.

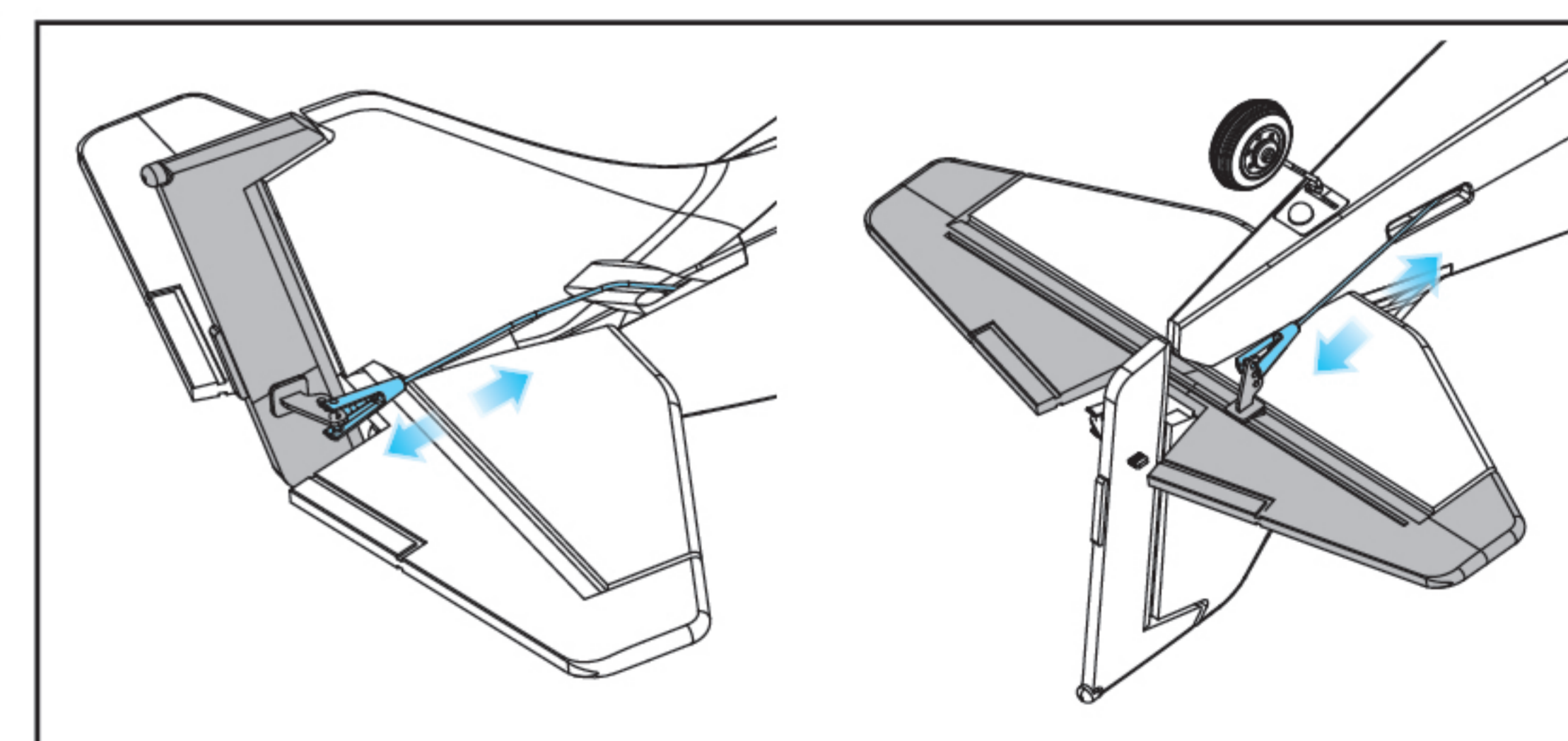


(4). 将电池组放入机身内，再把电池组插座与飞机电源插头接通，盖好电池盖。

Place the battery pack into the body, then connect the battery pack socket to the aircraft power plug, and cover the battery cover

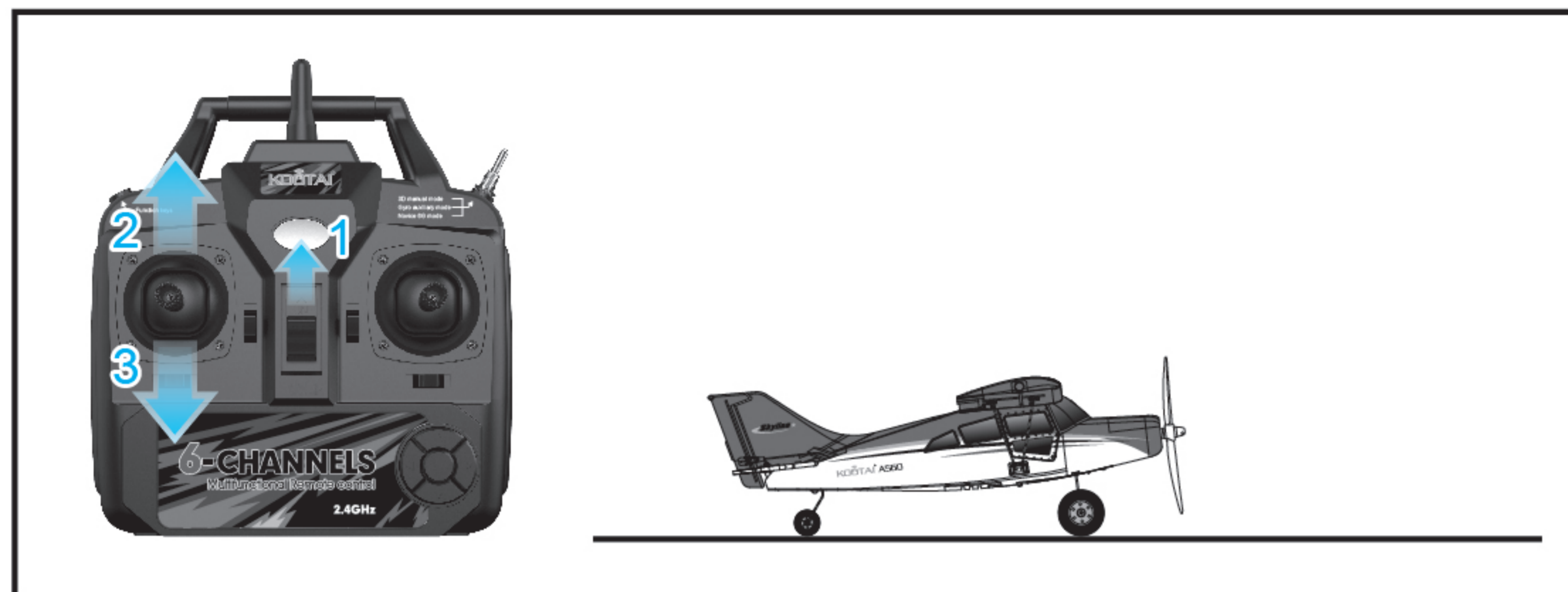


(5). 遥控器左右上下操纵杆微调置中时，各翼面的舵面应与其翼面成一平面。While adjusting the control sticks of the transmitter and making them in the middle, both the rudder & the elevator should be in the same horizontal plane, and their empennage as well.



(6). 如不成一平面，调整连动钢丝，使其成一平面。If not in a plane, adjust the connecting wire to make it in a plane.

## 6. 操作方式 OPERATION INTRODUCTION



(1). 对频: 先将电池连接到机身, 机身发出开机声效, 飞机4颗信号灯闪烁, 关上电池盖, 再将飞机放在平整的跑道上。将遥控器电源开关推向“ON”位置, 再将遥控器左操纵杆向上推到顶, 再往下拉到底, 飞机前后信号灯长亮, 机翼信号灯闪烁, 对频成功。

**Frequency matching:** First connect the battery to the fuselage, the fuselage emits a power on sound effect, the aircraft's four signal lights flash, close the battery cover, and then place the aircraft on a flat runway. Push the power switch of the remote control to the "ON" position, then push the left joystick of the remote control up to the top, and then pull it all the way down. The front and rear signal lights of the aircraft will remain on, and the wing signal lights will flash, indicating successful frequency alignment.

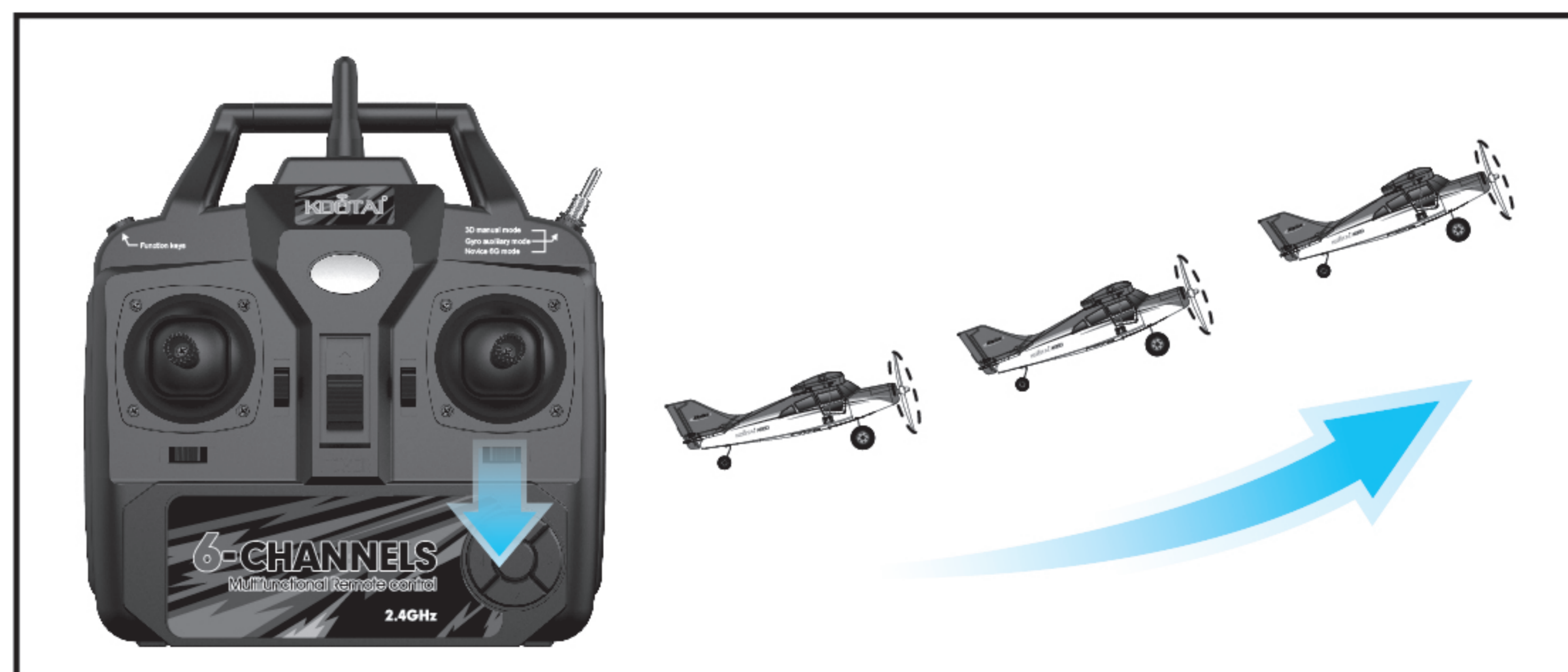


(3). 降落: 将遥控器左操纵杆向下拉(降低油门), 螺旋桨旋转速度减弱, 飞机自然飘落。  
**Landing:** pull down the left joystick of the remote control (lower the throttle), the propeller rotation speed will be reduced, and the aircraft will fall naturally.

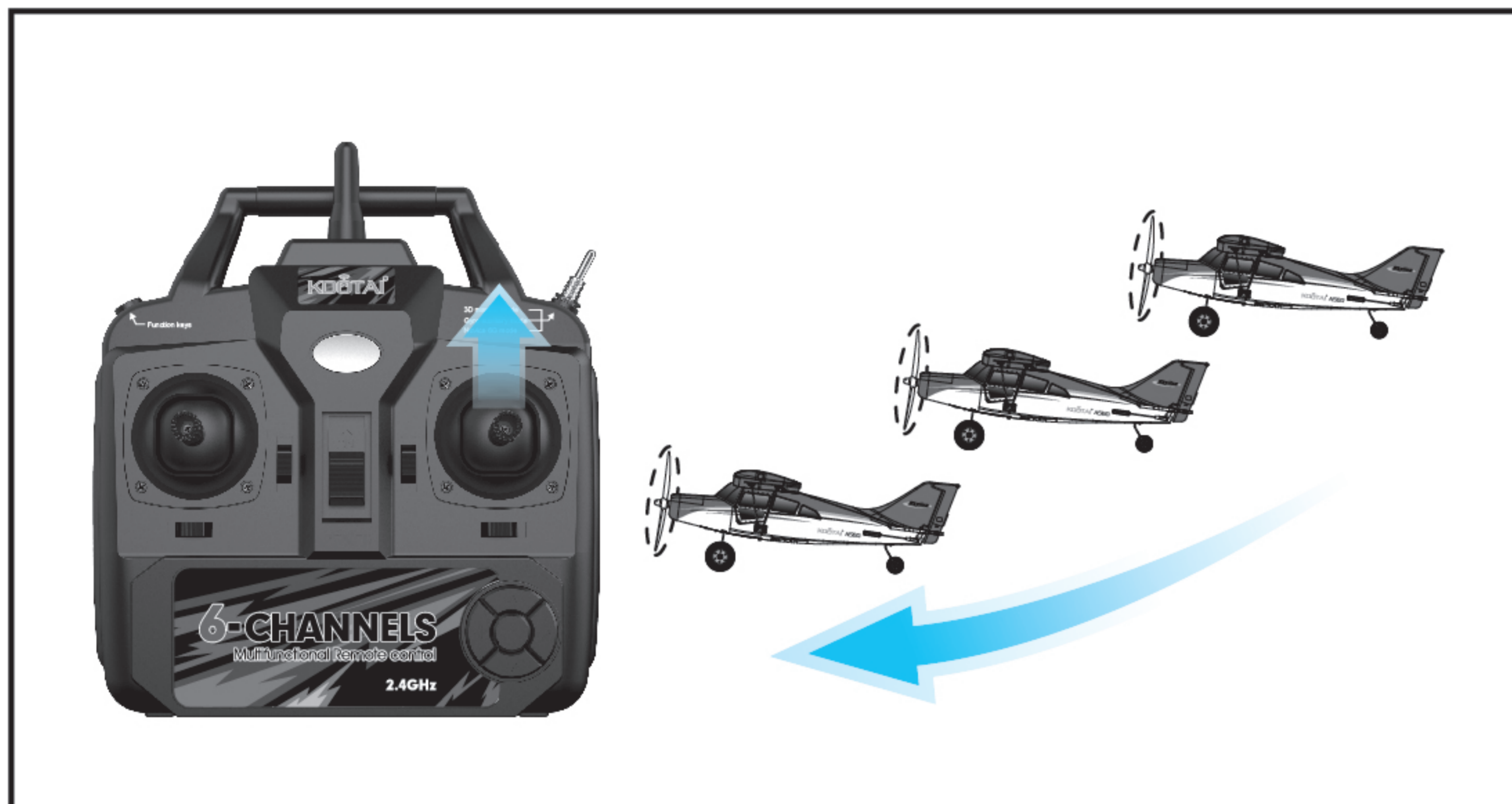


(2). 起飞: 将遥控器左操纵杆向上推(加大油门), 螺旋桨旋转速度加快, 飞机滑行一段距离后上升。

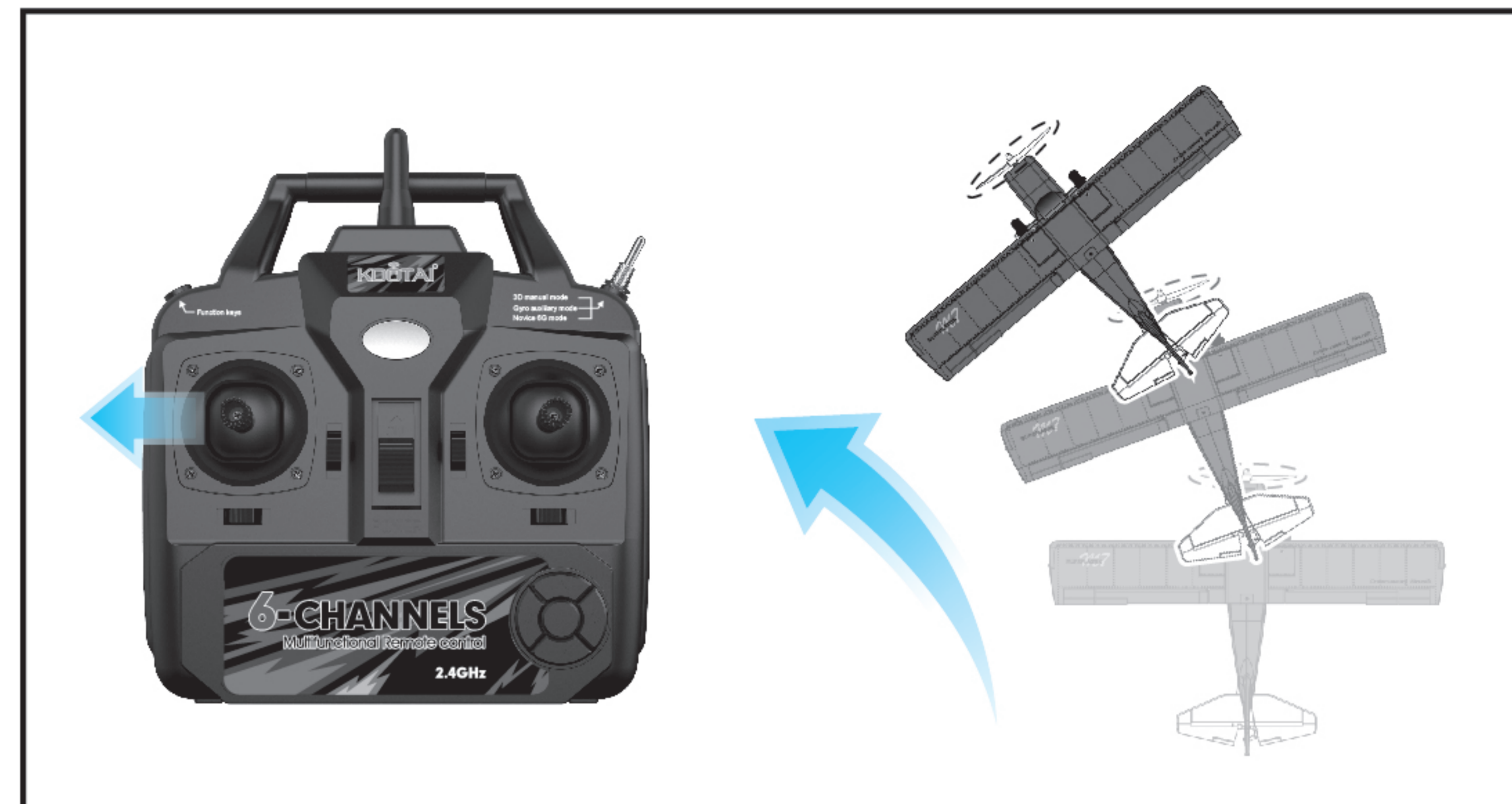
**Takeoff:** Push the left joystick of the remote control upward (increase the accelerator), the propeller rotates faster, and the aircraft glides for a distance before rising.



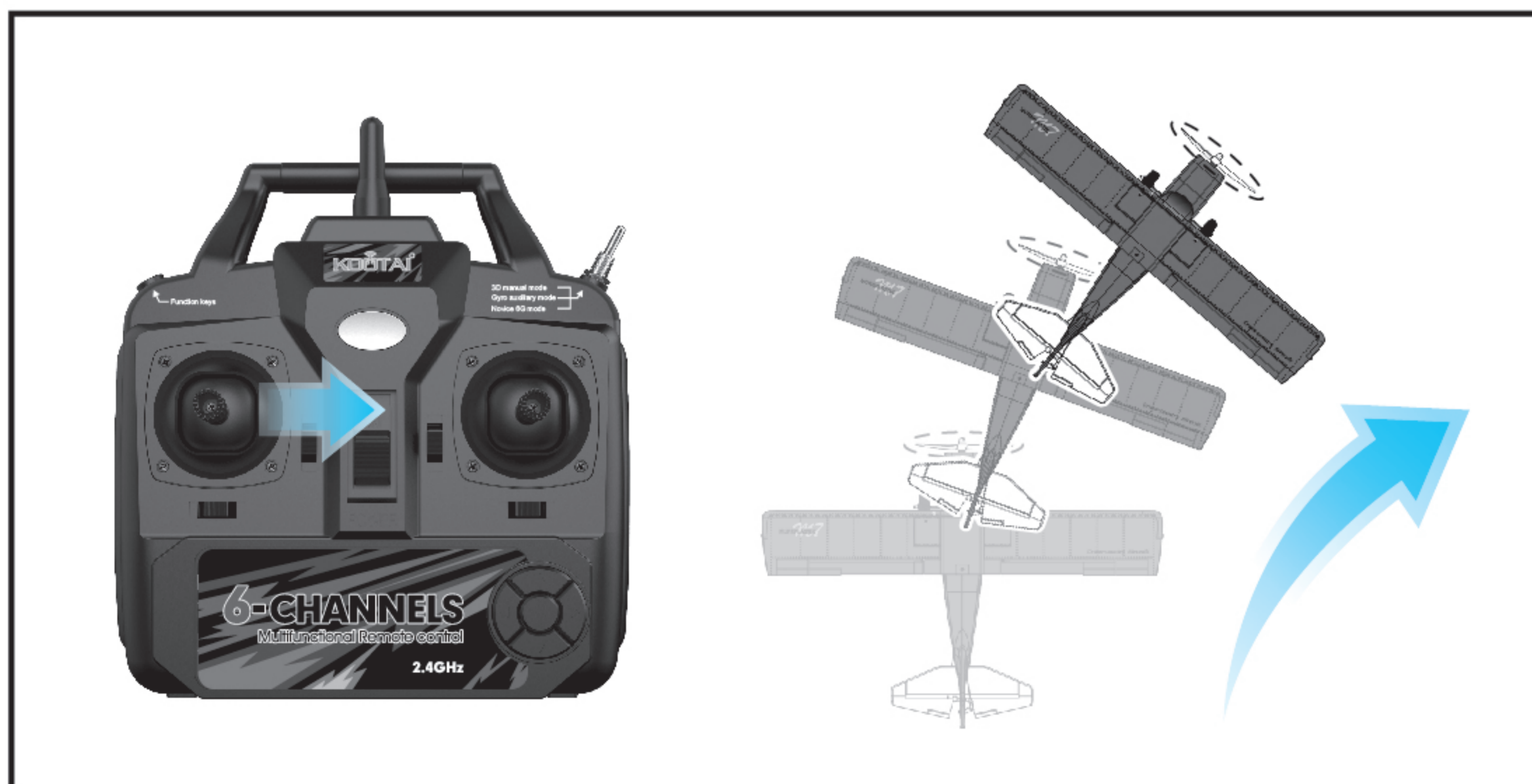
(4). 上升: 将遥控器右操纵杆向下拉, 水平尾翼舵面向下, 飞机随之上升。  
**Ascending:** pull down the right joystick of the remote control, and the horizontal tail control surface is downward, then the aircraft will ascend.



(5). 下降：将遥控器右操纵杆向上推，水平尾翼舵面向上，飞机随之下降。  
**Descending:** Push the right joystick of the remote control upward, and the horizontal tail rudder faces upward, so that the aircraft descends.



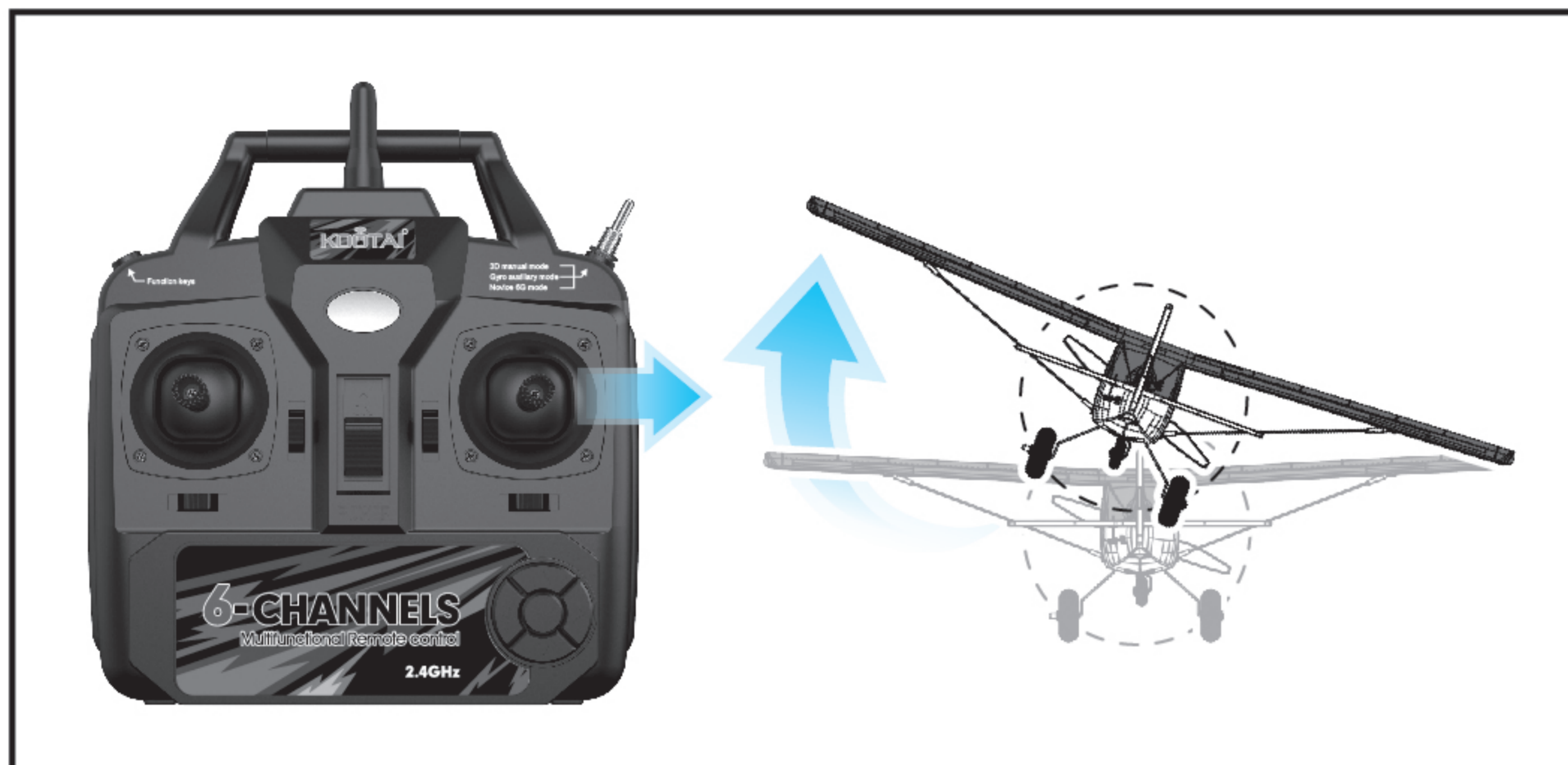
(6). 左转弯：将遥控器左操纵杆向左移动时，飞机随之向左转弯。  
**Left turn:** When the left joystick of the remote control is moved to the left, the aircraft will turn left accordingly.



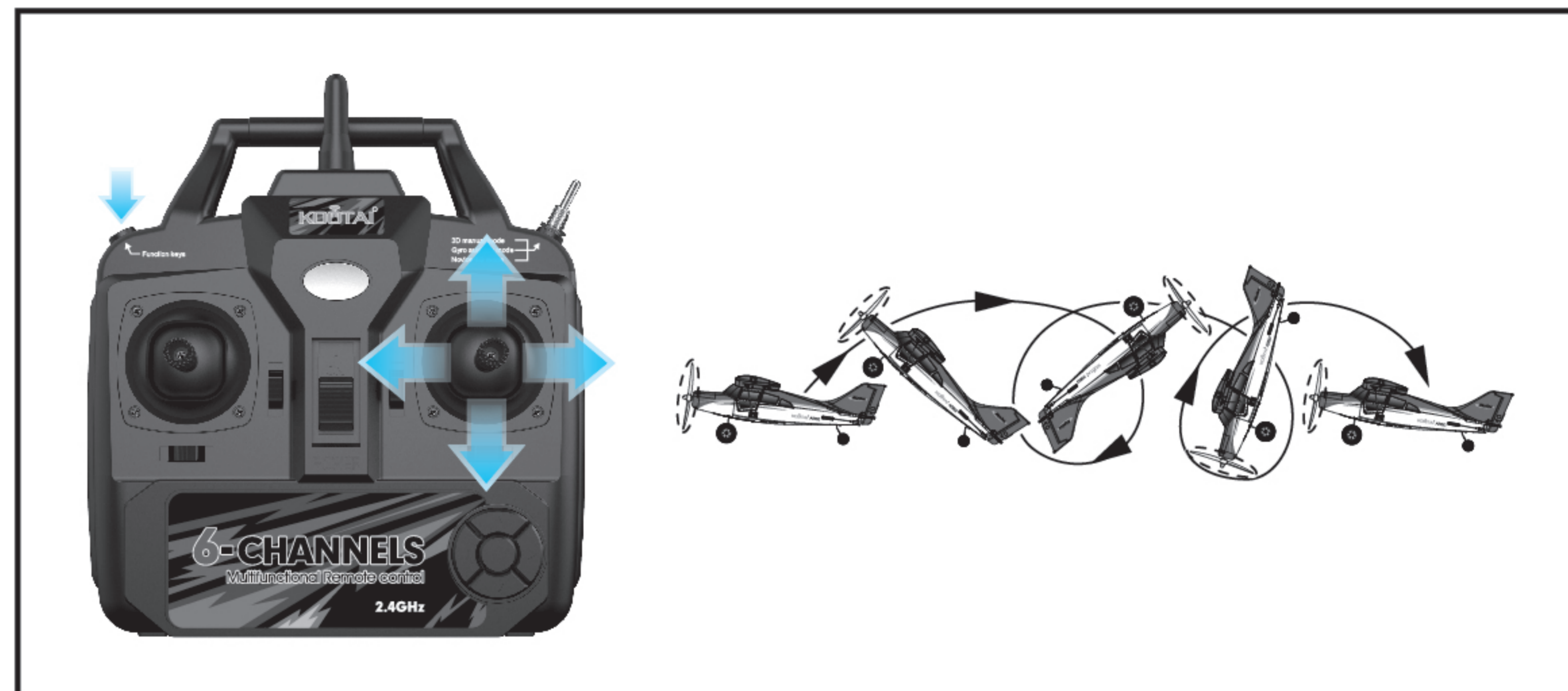
(7). 右转弯：将遥控器左操纵杆右移动时，飞机随之向右转弯。  
**Right turn:** When the left joystick of the remote control is moved to the right, the aircraft will turn right accordingly.



(8). 左倾斜：将遥控器右操纵杆向左移动时，飞机随之向左倾斜。  
**Left tilt:** When the right joystick of the remote control is moved to the left, the aircraft will tilt to the left accordingly.



- (9). 右倾斜: 将遥控器右操纵杆向右移动时, 飞机随之向右倾斜。  
**Right tilt:** When the right joystick of the remote control is moved to the right, the aircraft will tilt to the right.



- (10). 一键翻滚(新手模式专用): 将遥控器切换到新手模式, 点按“一键翻滚”按键, 向上或向下推右控制杆, 飞机向后翻滚。再点按“一键翻滚”按键, 向左/右推右控制杆, 飞机向左/右翻滚。(翻滚完毕后, 需再次点按一键翻滚按键, 才能再次翻滚)  
**One click roll (Dedicated to novice mode):** Switch the remote control to novice mode, press the "One click roll" button, push the right control lever up or down, and the aircraft rolls backwards. Press the "One Key Roll" button again, push the right control lever left/right, and the aircraft will roll left/right. (After rolling, you need to press the rolling button again to roll again.)

## 7. 飞行调整 FLYING ADJUSTMENT

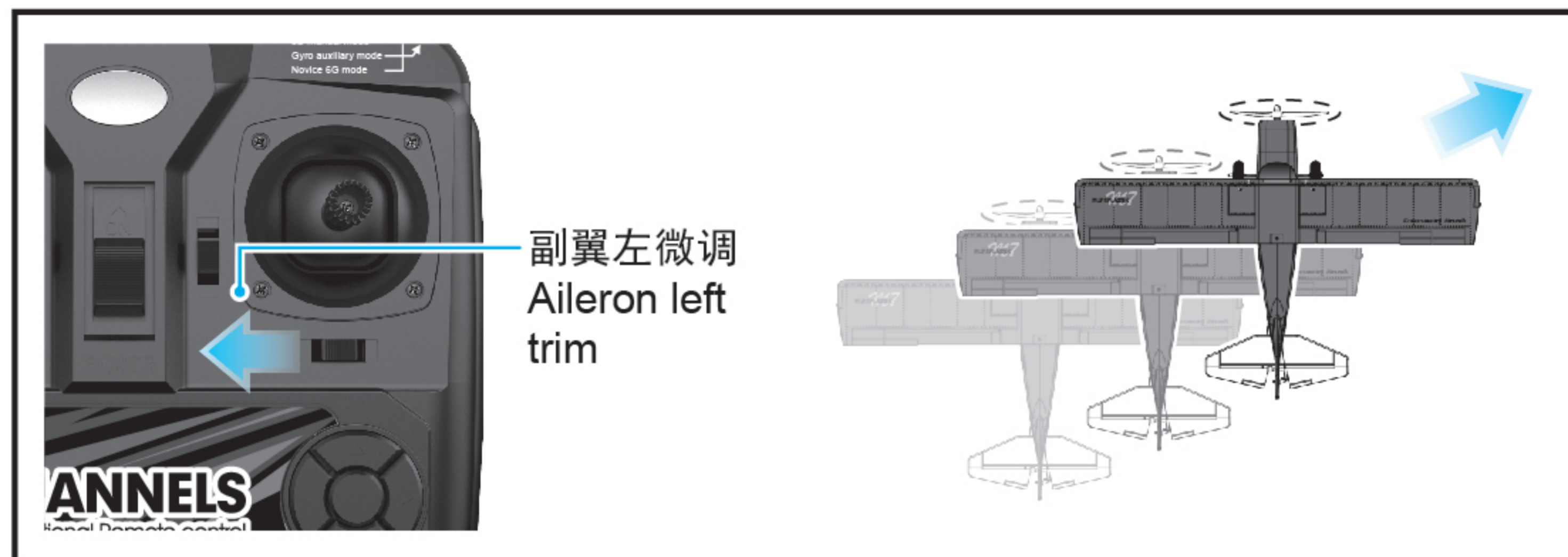


- (1). 先向下推右操纵杆微调(水平尾翼上升微调), 如还不能纠正头重, 则将右操纵杆向下拉动少许(水平尾翼上升), 克服头重。  
 First push the right joystick down for fine adjustment (Horizontal tail rise trim). If the head weight cannot be corrected, push the right joystick down a little (Horizontal tail rise) to overcome the head weight.

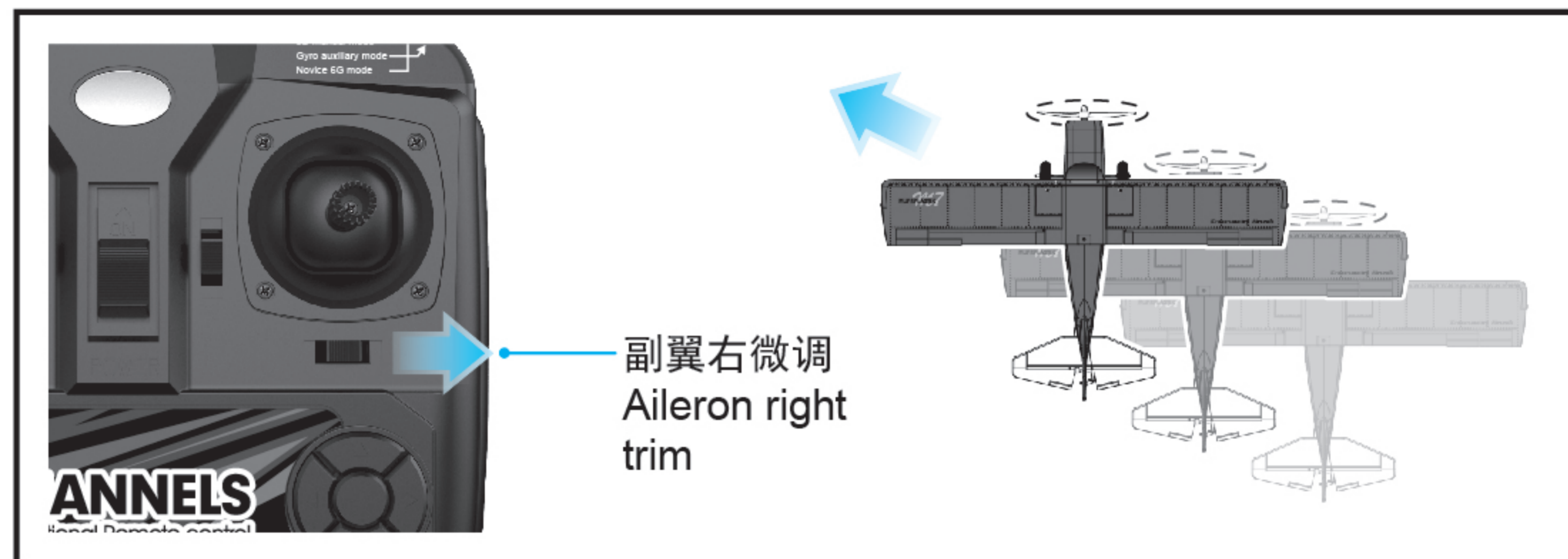


- (2). 先上推右操纵杆微调(水平尾翼下降微调), 如还不能纠正头轻, 则将右操纵杆向上推动少许(水平尾翼下降), 克服头轻。  
 First pull up the right joystick for fine adjustment (Horizontal tail descending trim). If the head light cannot be corrected, push the right joystick up a little (Horizontal tail descending) to overcome the head light.

8. 左右偏向调整 ADJUSTMENT FOR THE LEFT OR RIGHT DEFLECTION

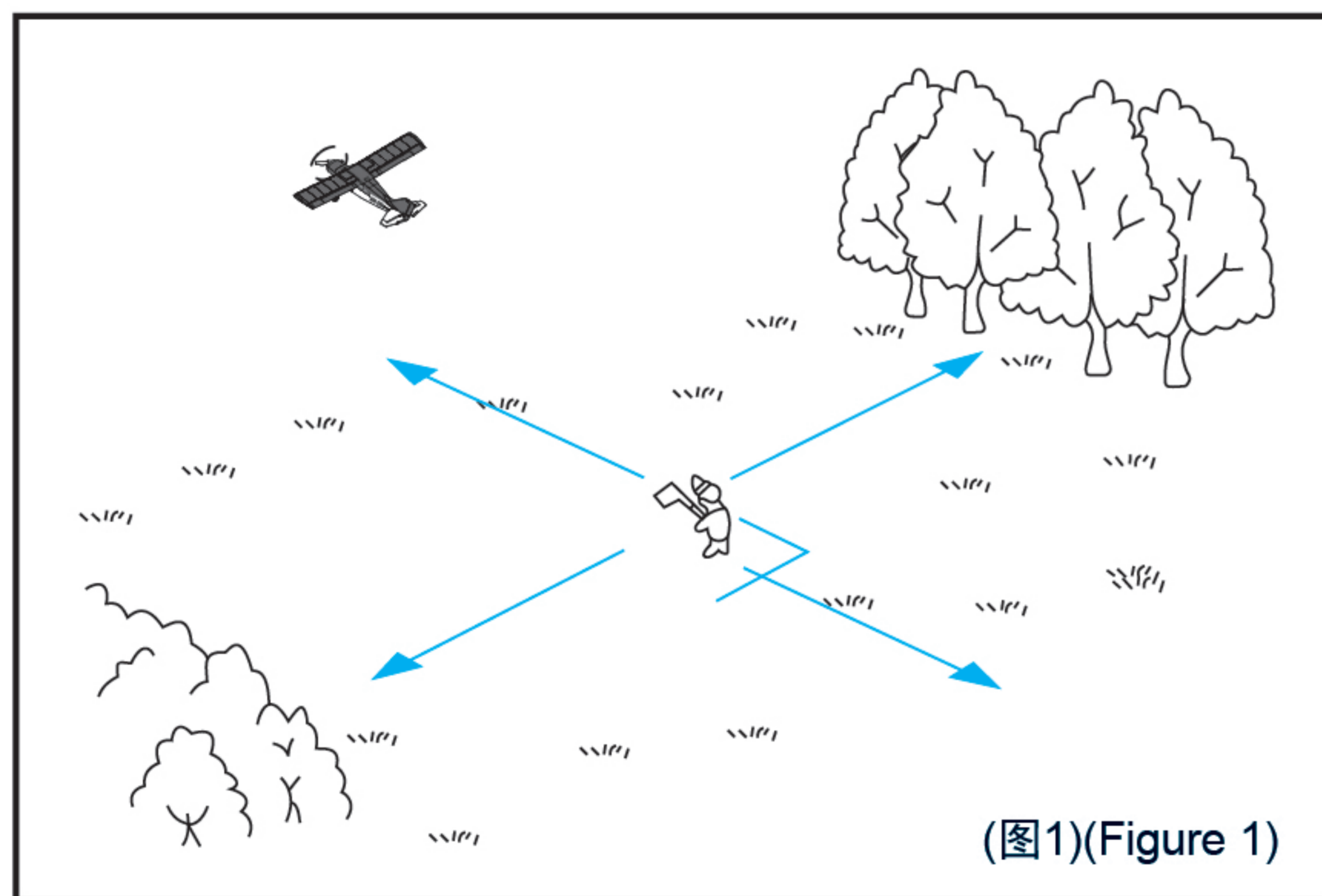


(1). 飞行时, 飞机右偏, 微调应向左调节。  
If the plane deviates from the right in flying, adjust the adjuster to the left.

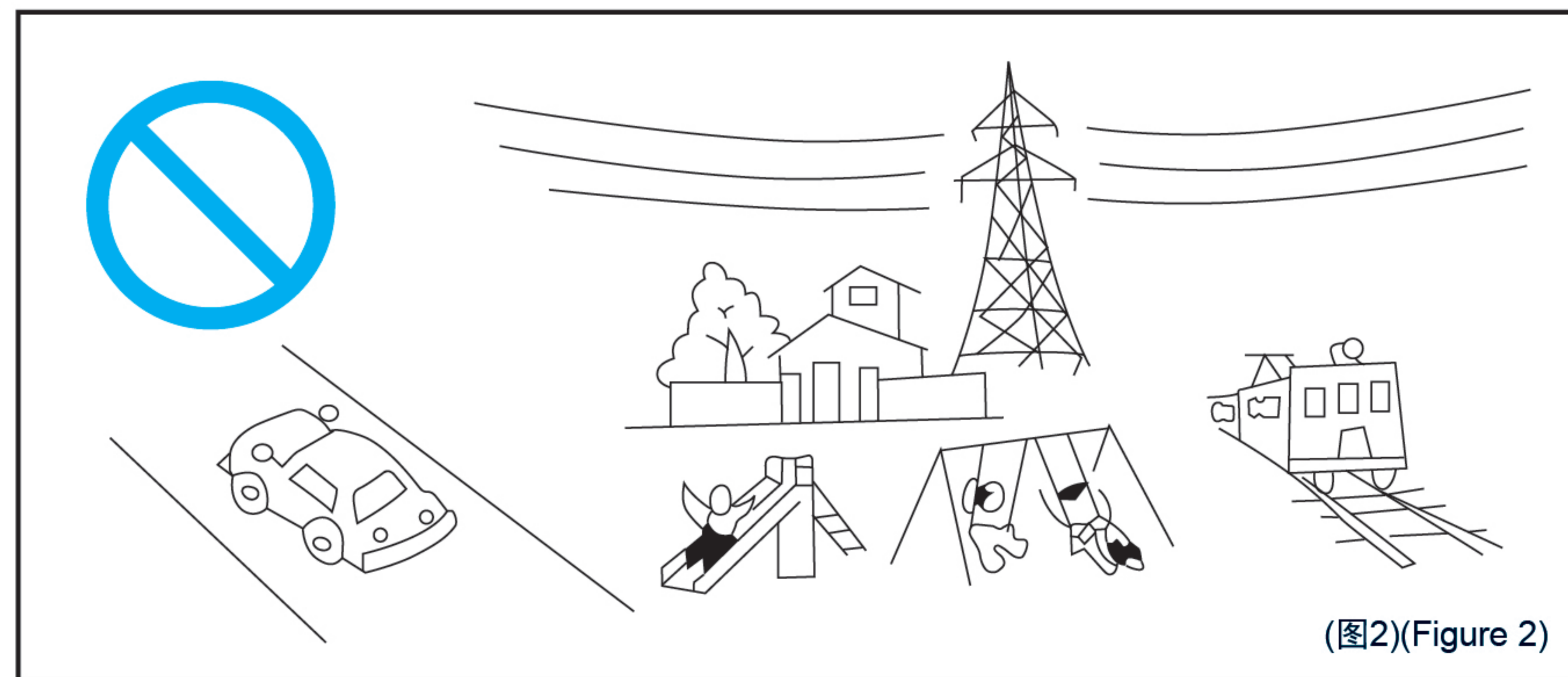


(2). 飞行时, 飞机左偏, 微调应向右调节。  
If the plane deviates from the left in flying, adjust the adjuster to the right.

9. 飞行警告 FLIGHT WARNING

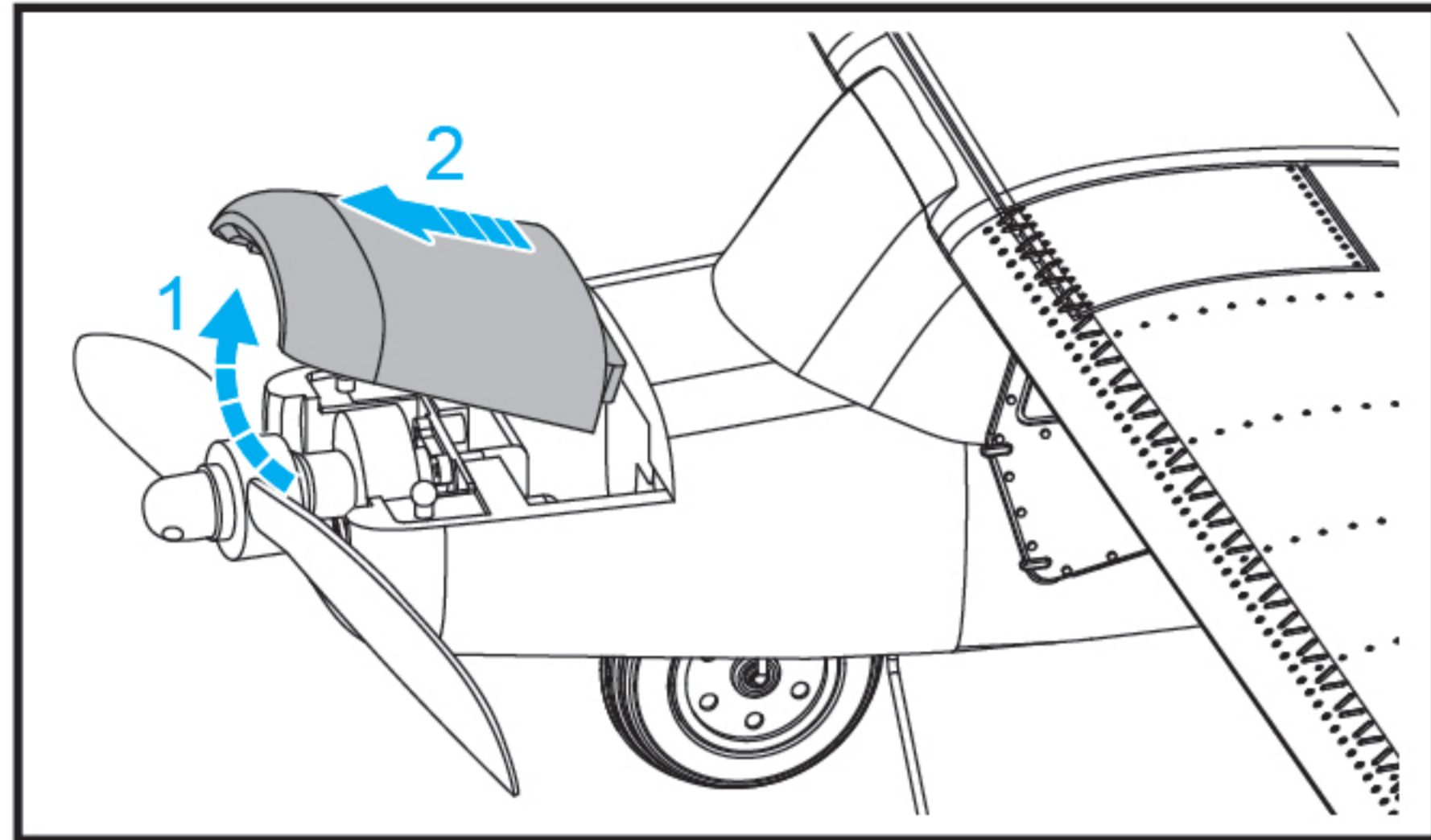


(1). 请选择开阔没有障碍物或灌木丛的地方飞行。(图1)  
(2). 禁止在以下场所飞行: 公路, 铁路, 高压电线, 人群, 住宅区。(图2)  
(3). 最佳风速为0-2米/秒。

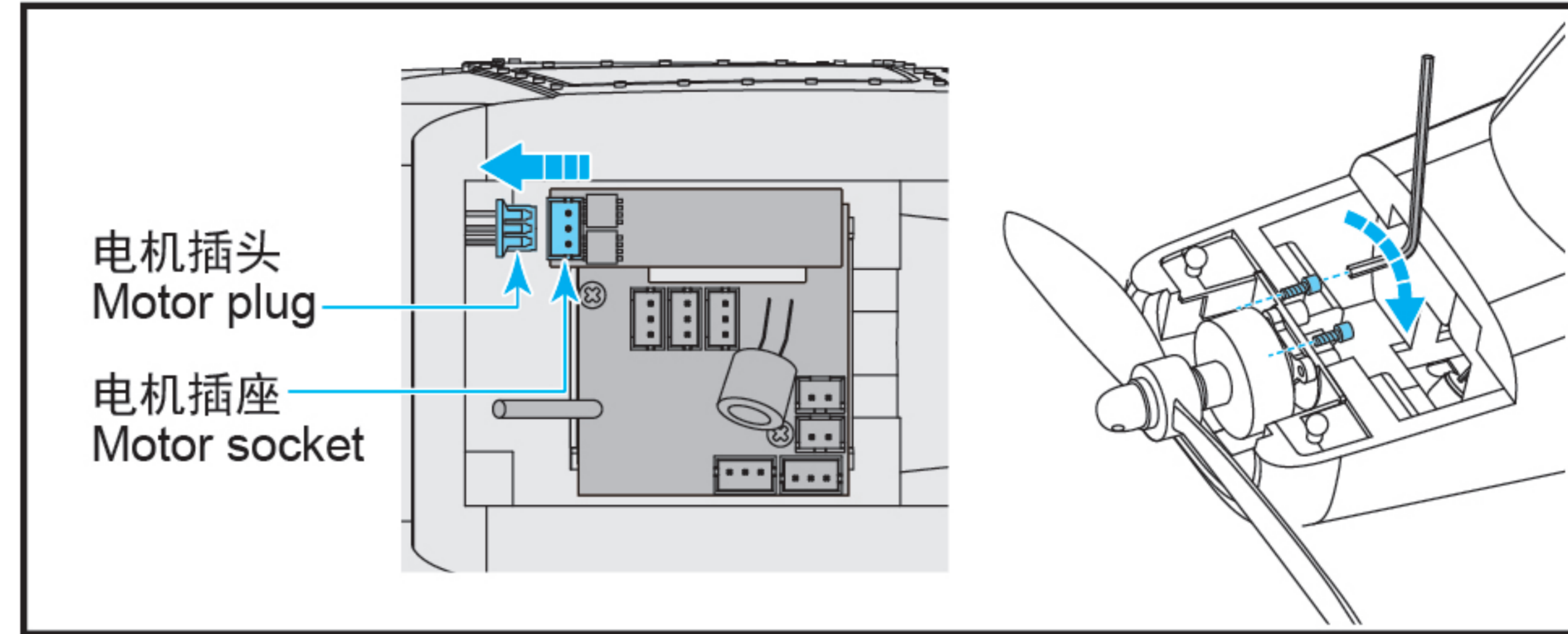


(1). Fly in spacious ground without obstacles and boscage.(Figure 1)  
(2). Never fly near the signs as below: Highway, railway, high tension line, crowed people, and residential area.(Figure 2)  
(3). The optimal wind speed for flight is 0-2m/s.

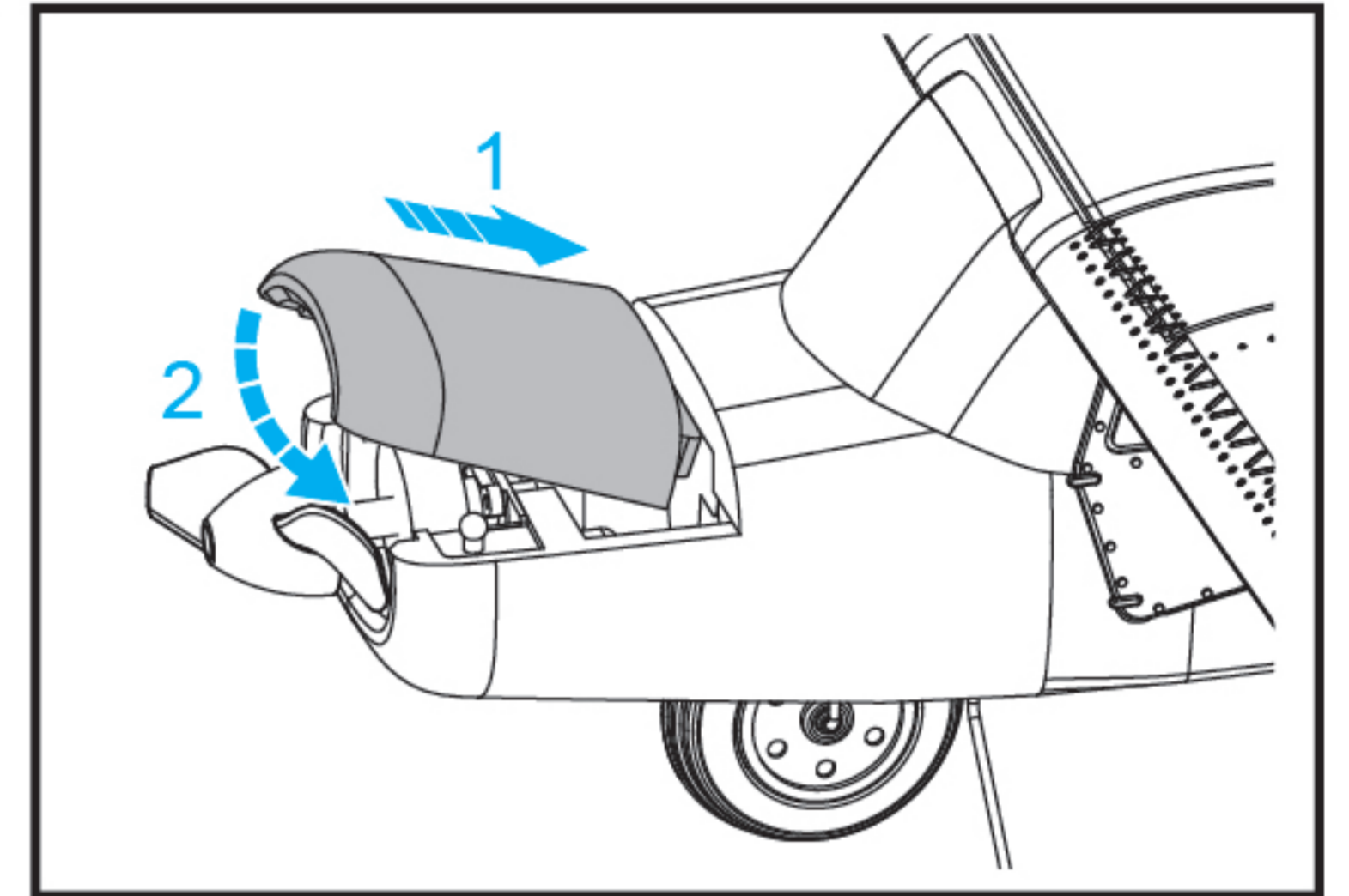
## 10. 引擎部件的更换 REPLACEMENT OF ENGINE COMPONENTS



- (1). 如图所示，向上掰机舱盖，并取出机舱盖。  
As shown in the figure, pull the engine compartment cover upwards and remove it.

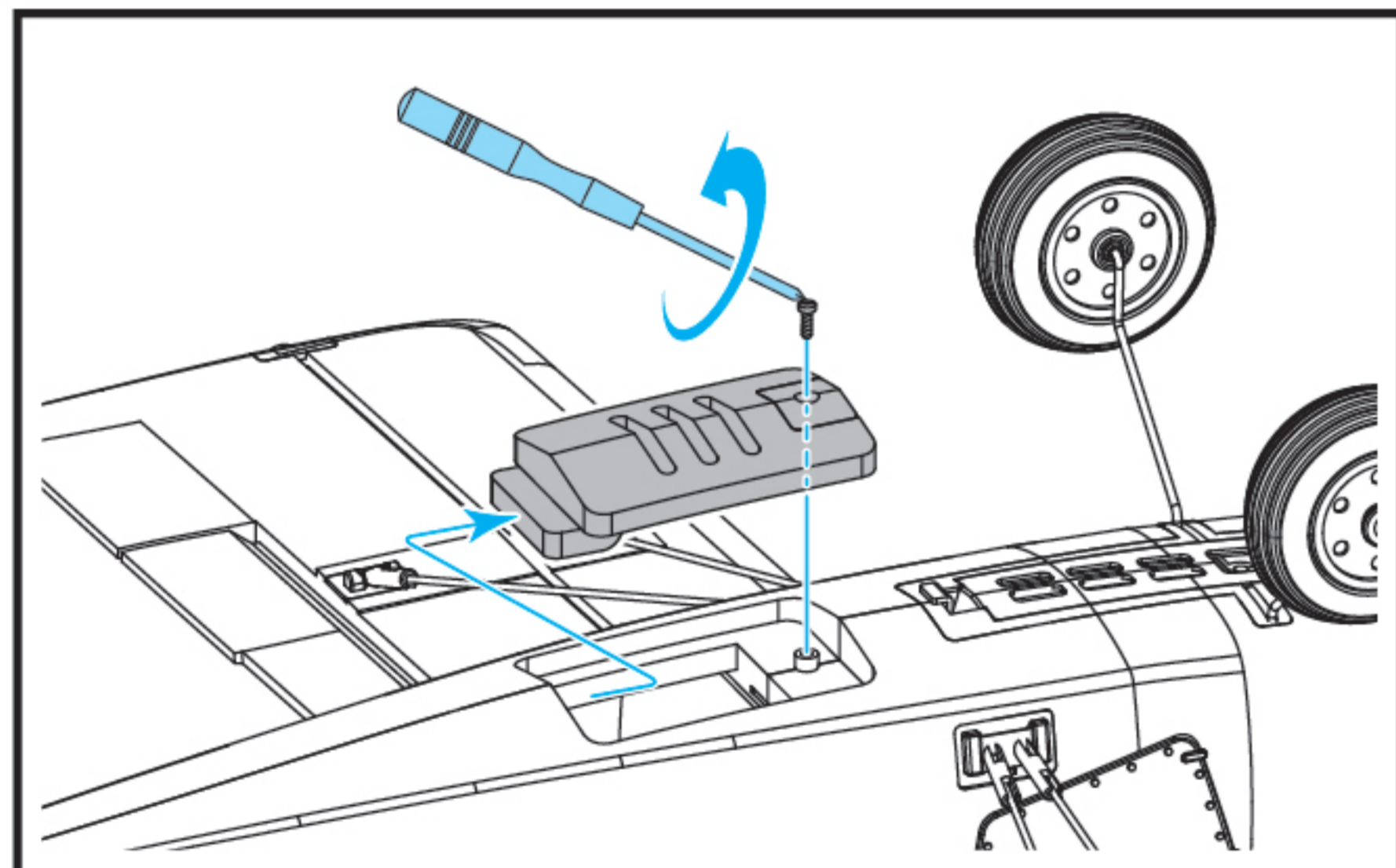


- (2). 断开引擎和接收器的电线连接，用内六角螺丝刀拧开固引擎的两颗螺丝，取出需要的引擎。  
Disconnect the wires between the engine and receiver, use an Allen screwdriver to unscrew the two screws that secure the engine, and remove the required engine.

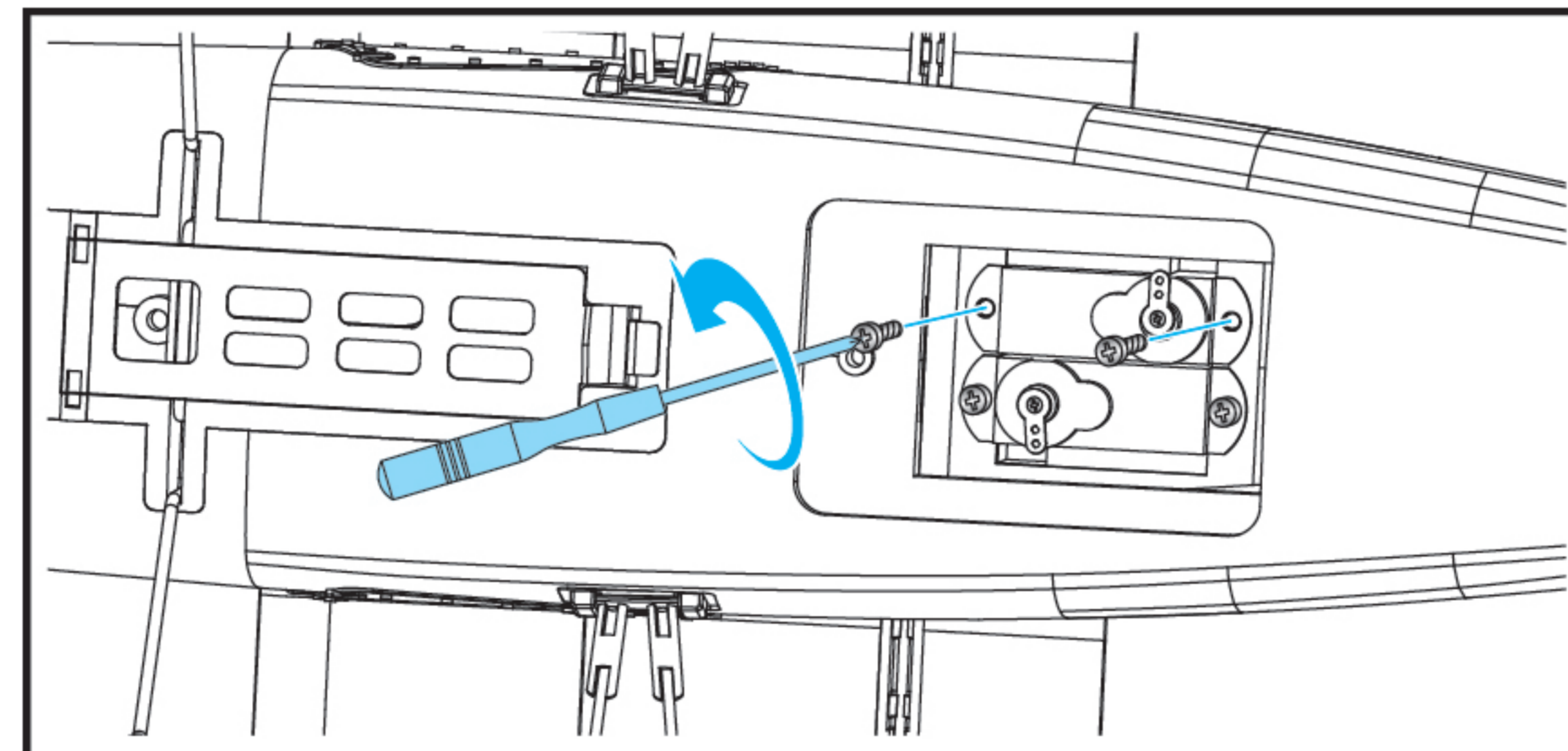


- (3). 装上新的引擎后，拧上螺丝，将引擎电线插头插到对应的接收器插座上，盖紧机舱盖。  
After installing a new engine, tighten the screws, plug the engine wire plug into the corresponding receiver socket, and tighten the engine compartment cover.

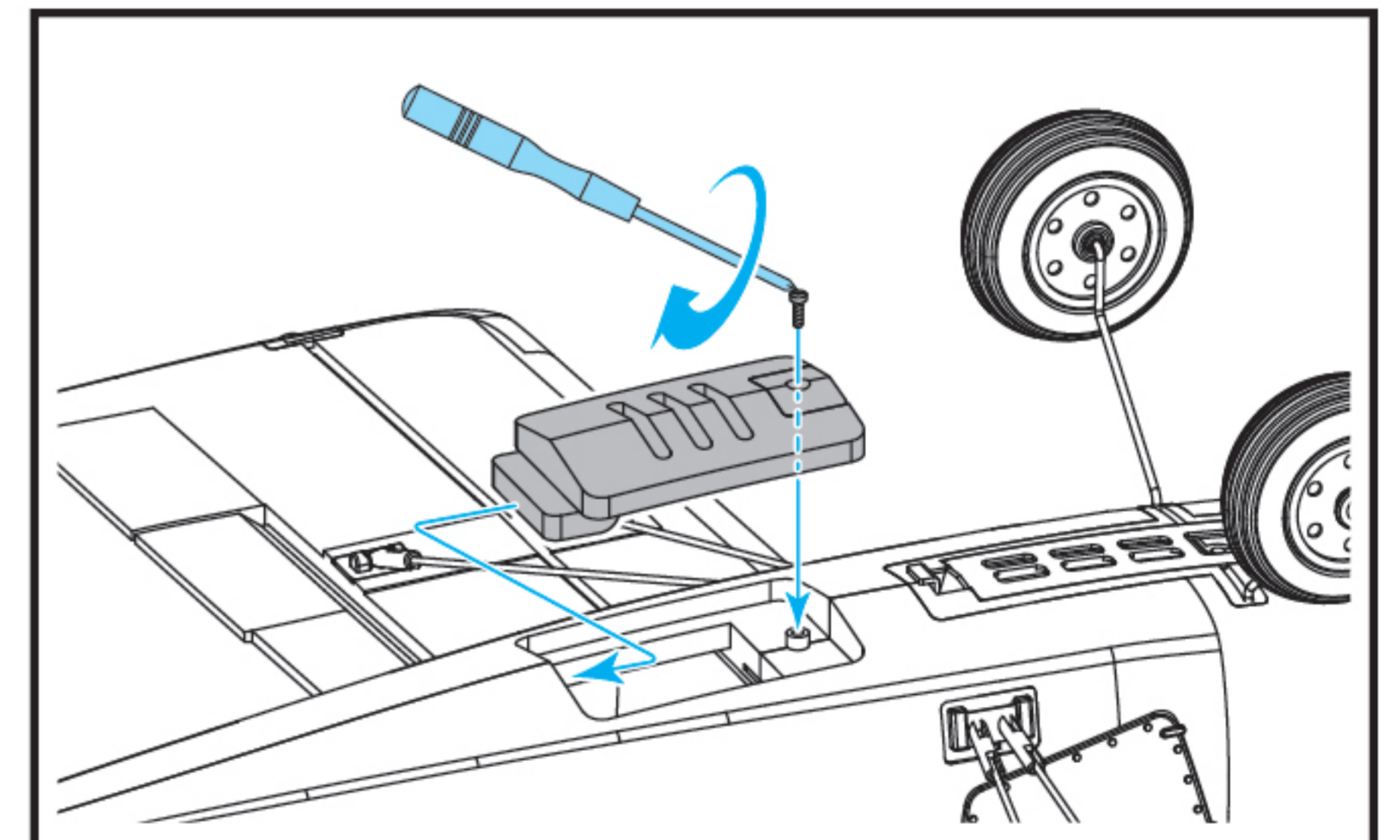
## 11. 舵机部件的更换 REPLACEMENT OF STEERING GEAR COMPONENTS



- (1). 如图所示，用十字螺丝刀拧开螺丝，向上取出保护盖。  
As shown in the figure, use a screwdriver to unscrew the screw and remove the protective cover upwards.



- (2). 如图所示，先断开舵机和接收器的电线连接，再将尾翼连接杆从舵机上取下，最后用十字螺丝刀拧开固定舵机的螺丝，取出需要更换舵机。  
As shown in the figure, first disconnect the electrical wires between the servo and receiver, then remove the tail connecting rod from the servo. Finally, use a screwdriver to unscrew the screws that secure the servo, and remove the servo that needs to be replaced.



- (3). 装上新的舵机后，拧上螺丝，将舵机插头插到对应的接收器插座上，重新将推拉杆装到舵机上，盖上保护盖，拧紧螺丝。  
After installing a new steering gear, tighten the screws, insert the steering gear plug into the corresponding receiver socket, reinstall the push rod onto the steering gear, cover the protective cover, and tighten the screws.